



HAWAII HIGH SCHOOL ATHLETIC ASSOCIATION
GIRLS SOCCER STATE CHAMPIONSHIPS
FEBRUARY 9-12, 2011
WAIPIO PENINSULA SOCCER COMPLEX

**HHSAA GIRLS SOCCER STATE CHAMPIONSHIPS
FEBRUARY 9-12, 2011
WAIPIO PENINSULA SOCCER COMPLEX**

HAWAII HIGH SCHOOL ATHLETIC ASSOCIATION

Executive DirectorChris Chun
Office Manager..... Russell Aoki
Director of Information Natalie Iwamoto
Asst. Director of Information Wes Nakama
Girls Soccer Coordinator..... Jim Bukes
Girls Soccer Advisor Al Wills

TOURNAMENT COMMITTEE

Host School University High School
Tournament Directors..... Jim Bukes & Peter Estomago
ILH Executive Director Don Botelho
Officials Coordinator.....Jan Allen
Medical Personnel OIA & ILH Athletic Trainers
Rules CommitteeChris Chun, Jim Bukes & Jan Allen
Seeding/Pairings CommitteeGreg Van Cantfort, Jan Allen, Jim Bukes & Chris Chun
Publicity.....Natalie Iwamoto & Wes Nakama
Statistician Chester Chee

SPECIAL THANKS

University High School Keoni Jeremiah, Principal
..... Jim Bukes, Athletic Director
City & County of Honolulu..... Glenn Kajiwarra
..... Wayne Sasaki

HHSAA GIRLS SOCCER STATE CHAMPIONSHIPS
FEBRUARY 9-12, 2011
WAIPIO PENINSULA SOCCER COMPLEX

TOURNAMENT INFORMATION

I. HHSAA SOCCER REGULATIONS

See HHSAA Handbook attached.

II. TEAM ROSTERS AND PICTURES

Schools with teams that have secured or are in contention for a tournament berth are required to submit team rosters, team photo and photo caption via e-mail to iwamoto@hhsaa.org and faith@tradepublishing.com. (All three items must be sent to both e-mail addresses)

The official roster form can be downloaded at www.sportshigh.com. Only official roster forms will be accepted and the roster MUST be e-mailed to the above e-mail addresses. Please be sure to save the rosters, photos and captions with your school name (do not abbreviate, i.e. KHS, MHS, WHS, etc.). Also, please put your school name and sport in the subject line of the e-mail.

Team pictures submitted on disk or via e-mail are required to be 300 dpi or greater. Otherwise, a hard copy of the team picture is required and must be mailed or hand delivered to the below address. Photo captions identifying individuals (left to right and by row) must be e-mailed or delivered to Trade Publishing in a digital format (i.e. saved on a CD, flash drive).

Trade Publishing Co.
Attn: Faith Freitas (Ph: 848-0711)
287 Mokauea Street, Honolulu, HI 96819

DEADLINE: TUESDAY, FEB. 2, 2011, NOON

III. TOURNAMENT REPRESENTATION

	GIRLS DIVISION I	GIRLS DIVISION II
OIA	6	4
ILH	2	1
BIIF	2	4
MIL	2	2
KIF	0	1
TOTAL	12	12

IV. PRE-TOURNAMENT MEETING

Head Coaches or their designees are **required** to attend the Pre-Tournament Coaches Meeting scheduled on **Wednesday, February 9, 2011, at 11:00 a.m., at Waipio Peninsula Soccer Stadium.**

V. TOURNAMENT SCHEDULE

Division I

Wednesday, February 9, 2011

Game #1	3:00 p.m.	First Round (Field #5)
Game #2	3:00 p.m.	First Round (Field #6)
Game #3	3:00 p.m.	First Round (Field #7)
Game #4	3:00 p.m.	First Round (Field #8)

Thursday, February 10, 2011

Game #5	1:00 p.m.	Consolation (Field #7)
Game #6	1:00 p.m.	Consolation (Field #8)
Game #7	1:00 p.m.	Quarterfinal (Main Stadium)
Game #8	3:00 p.m.	Quarterfinal (Main Stadium)
Game #9	5:00 p.m.	Quarterfinal (Main Stadium)
Game #10	7:00 p.m.	Quarterfinal (Main Stadium)

Friday, February 11, 2011

Game #11	3:00 p.m.	Consolation (Field #7)
Game #12	3:00 p.m.	Consolation (Field #8)
Game #13	5:00 p.m.	Semifinal (Main Stadium)
Game #14	7:00 p.m.	Semifinal (Main Stadium)

Saturday, February 12, 2011

Game #15	3:00 p.m.	Consolation (Field #7)
Game #16	3:00 p.m.	5 th Place (Field #8)
Game #17	3:00 p.m.	3 rd Place (Main Stadium)
Game #18	7:00 p.m.	Championship (Main Stadium)

Division II**Wednesday, February 9, 2011**

Game #1	3:00 p.m.	First Round (Field #9)
Game #2	3:00 p.m.	First Round (Field #10)
Game #3	3:00 p.m.	First Round (Field #11)
Game #4	3:00 p.m.	First Round (Field #12)

Thursday, February 10, 2011

Game #5	1:00 p.m.	Consolation (Field #9)
Game #6	1:00 p.m.	Consolation (Field #10)
Game #7	3:00 p.m.	Quarterfinal (Field #9)
Game #8	3:00 p.m.	Quarterfinal (Field #10)
Game #9	3:00 p.m.	Quarterfinal (Field #11)
Game #10	3:00 p.m.	Quarterfinal (Field #12)

Friday, February 11, 2011

Game #11	3:00 p.m.	Consolation (Field #9)
Game #12	3:00 p.m.	Consolation (Field #10)
Game #13	3:00 p.m.	Semifinal (Field #11)
Game #14	3:00 p.m.	Semifinal (Field #12)

Saturday, February 12, 2011

Game #15	3:00 p.m.	Consolation (Field #5)
Game #16	3:00 p.m.	5 th Place (Field #6)
Game #17	1:00 p.m.	3 rd Place (Main Stadium)
Game #18	5:00 p.m.	Championship (Main Stadium)

VI. RECOMMENDATIONS FOR THE TOURNAMENT

Participating teams are responsible for clean-up of their own areas after each game.

VII. TOURNAMENT BALL

The tournament ball is the Spalding Top-Flite 4000.

VIII. CODE OF CONDUCT

The coach shall have direct responsibility for conduct of team members prior to, during and after tournament competition (in the hotel, in public, at the tournament, transporting to and from sites).

The HHSAA Executive Director may establish a common curfew hour as necessary.

The drinking of alcoholic beverages, smoking, drug use, loud, unruly or destructive behavior will not be tolerated.

Coaches are requested to inform their athletes of hotel rules and regulations. Please emphasize the importance of appropriate conduct and behavior and consideration for other hotel guests. Schools and students will be charged for any damages incurred by them at the hotel.

It is recommended that schools inform parents regarding the code-of-conduct in writing.

IX. STATE TOURNAMENT DISQUALIFICATION RULE

Any student-athlete or coach disqualified before, during, or after a state tournament game/match/event for unsportsmanlike conduct, flagrant verbal misconduct, or flagrant physical misconduct shall be disqualified from his/her next scheduled state tournament game/match/event for that sport. The student-athlete or coach has the right to appeal any such disqualification to an appeals committee for the particular sport. Should a student-athlete or coach be disqualified from the final state tournament game/match/event for that sport, said disqualification shall NOT carry over to the following school year's state tournament for that sport. Instead, the student-athlete's or coach's league shall determine any appropriate penalty or sanction.



HHSAA Girls Soccer State Championships – Division I
February 9-12, 2011
Waipio Peninsula Soccer Complex

Saturday
Feb. 12

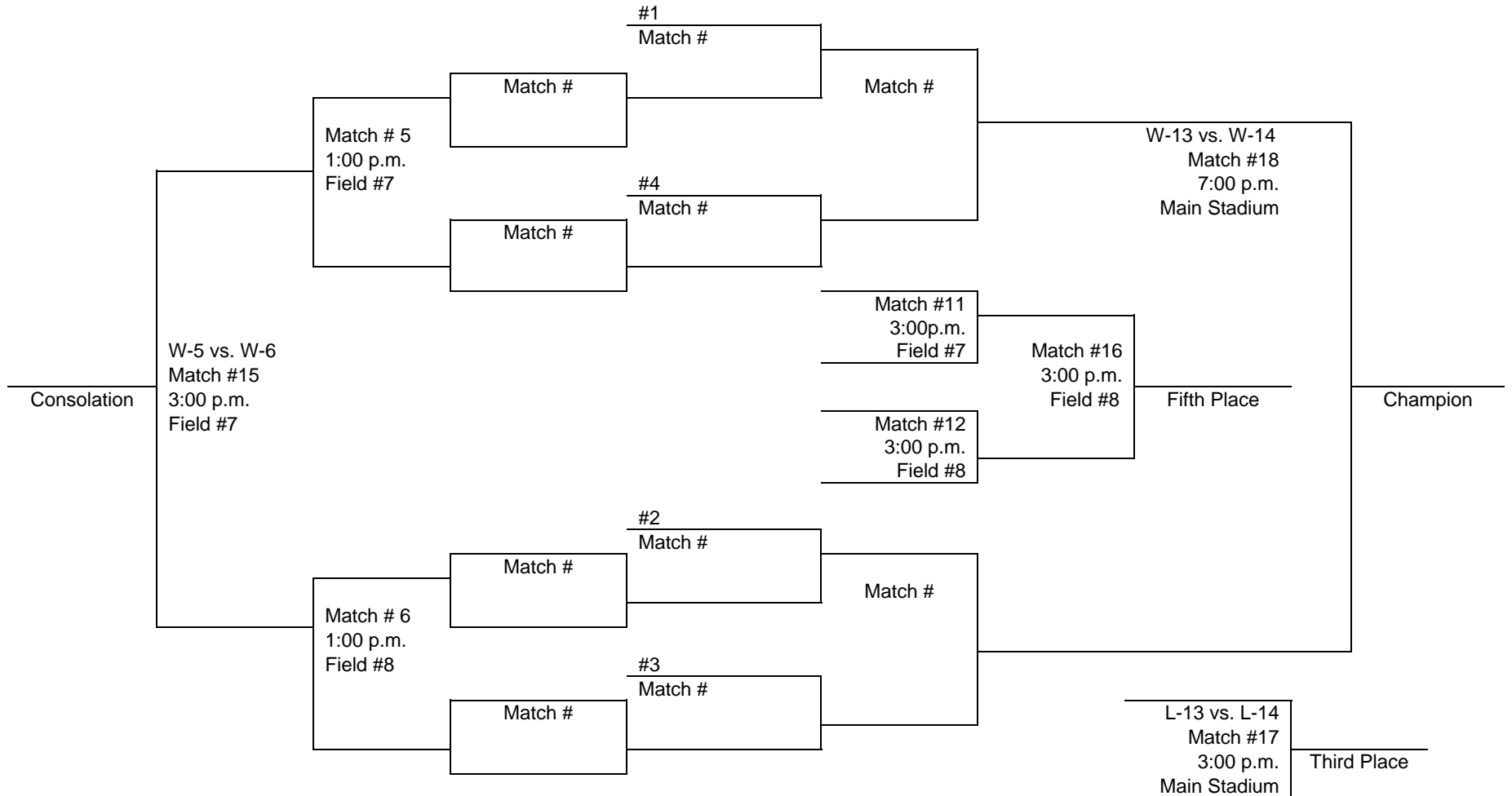
Thursday
Feb. 10

Wednesday
Feb. 9

Thursday
Feb. 10

Friday
Feb. 11

Saturday
Feb. 12





HHSAA Girls Soccer State Championships – Division II
February 9-12, 2011
Waipio Peninsula Soccer Complex

Saturday
Feb. 12

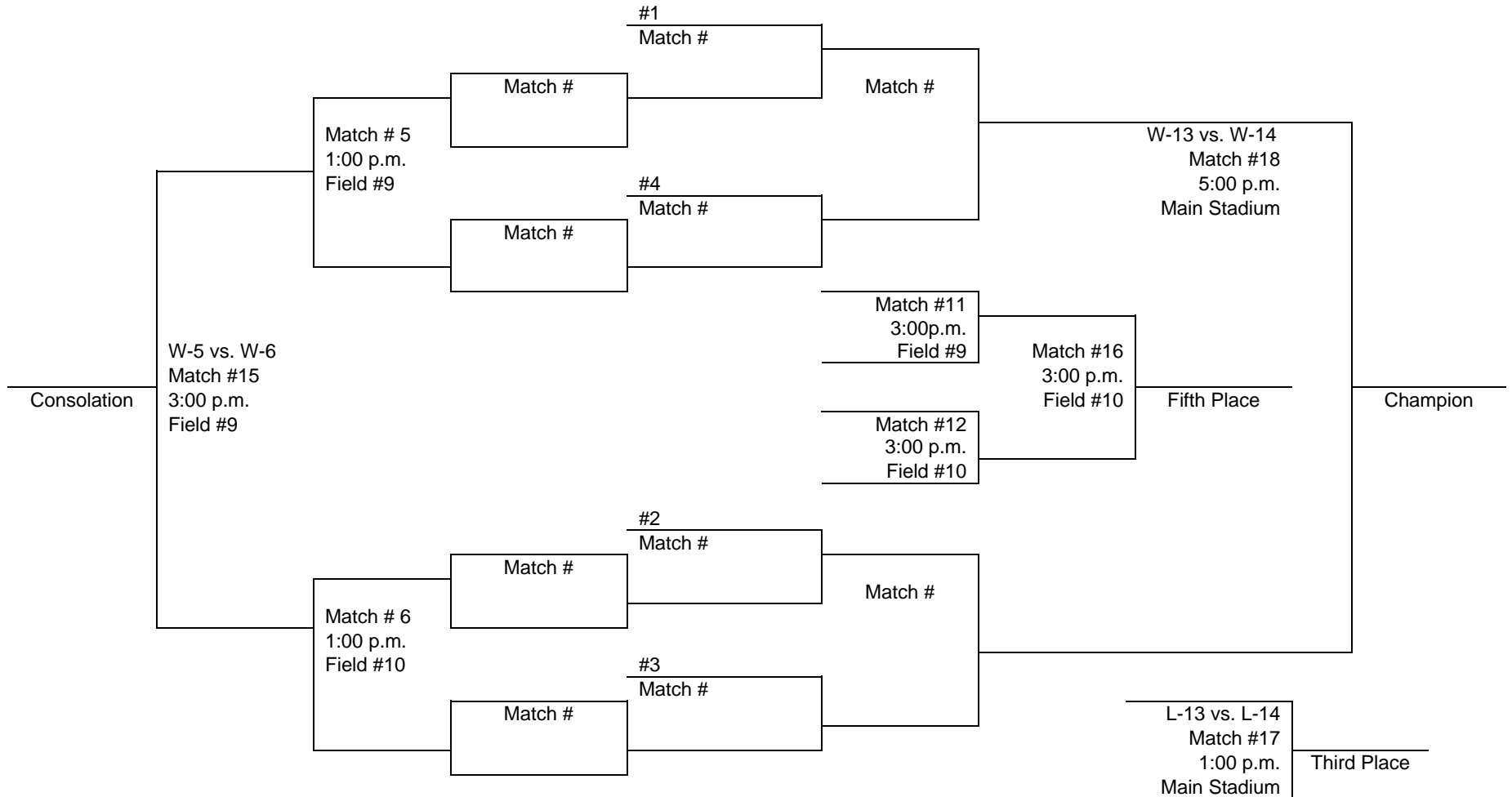
Thursday
Feb. 10

Wednesday
Feb. 9

Thursday
Feb. 10

Friday
Feb. 11

Saturday
Feb. 12



HHSAA HANDBOOK SOCCER TOURNAMENT

I. Specific Objectives

- A. To select the boys and girls state champions for soccer through tournament competition.
- B. To recognize the combined efforts of all the participating teams in the tournament.
- C. To encourage the highest principles and standards of general behavior.
- D. To promote the highest principles of citizenship in tournament games.

II. Officials

Qualifications

- A. Qualified officials shall be selected by the HHSAA Executive Director, Sport Coordinator and Tournament Director. Selection may be made from all leagues.
- B. All officials must have taken the current National Federation Soccer Examination prior to the season.
- C. Game Officials
 - 1. One referee, two linesmen and a fourth official shall be assigned to each game.
 - 2. Officials shall be assigned to each game by the Sport Coordinator and Officials Coordinator
 - 3. Officials shall be paid in accordance with HHSAA rates.
- D. Uniform
 - 1. All state tournament officials/umpires shall wear uniforms in accordance with their sport's NFHS rules/guidelines/recommendations. In the absence of any NFHS rules/guidelines/recommendations, the sport's HHSAA Sport Coordinator shall have the final say as to the appropriateness of a state tournament official's/umpire's uniform.

III. Eligibility (See Part II, Administrative Regulations, HHSAA Handbook)

IV. Rules Governing the Tournament

The National Federation of State High School Soccer Rules shall prevail except with the following HHSAA modifications:

- A. The games shall be played in two half-time periods.
- B. All non-championship games shall be played in two forty (40) minute halves.
- C. Tie-Breaker Procedure for **Advancement**
 - 1. There shall be a one, 10-minute sudden victory overtime period.
 - a. A coin toss shall be held as stated in the National Federation Rules Book, Rule 5-2-2-d-3.
 - b. If a tie still exists, there shall be a second, 10-minute sudden victory overtime period. Teams shall change ends.
 - 2. If the score remains tied after two sudden-death overtime periods, a penalty kick procedure will be conducted. The format follows the same procedure as the penalty kick of the National Federation Rules.
 - 3. Disqualified players shall remain ineligible during the tie breaking overtime period(s).

4. If the score remains tied, all coaches, officials and team captains shall assemble at the halfway line to review the procedure for the penalty kick. Teams will change goals only during the end of the first overtime period, if necessary.
 - a. The head referee shall choose the goal at which kicks shall be taken.
 - b. Each coach will select any five players, including goalkeeper, on or off the field (except those who may have been disqualified) to take the kicks.
 - c. A coin toss shall be held. The team winning the toss shall have the choice of kicking first or second.
 - d. Teams shall alternate kickers. There shall be no follow-up on the kick.
 - e. The defending team may change the goalkeeper prior to each penalty kick.
 - f. Following five kicks for each team, the team scoring on the greatest number of these kicks shall be declared the winner.
 - g. If the score remains tied after each team has five kicks, each coach will select five different players than the first five who already have kicked to take the kicks in a sudden-victory situation, wherein if one team scores and the other team does not score, the game is ended without more kicks being taken.
 - h. If the scores remains tied, continue the sudden-victory kicks with the coach selecting any five players to take the next set of alternating kicks. If a tie still remains, repeat 4g.

D. Tie-Breaker Procedure for Non-Championship Games (Games 5, 6, 11 & 12 only)

1. If the score remains tied after two, 40-minute periods, a penalty kick procedure will be conducted. The format follows the same procedure as the penalty kick of the National Federation Rules.
2. Disqualified players shall remain ineligible during the tie breaking overtime period(s).

E. Tie Games

If a tie exists in games 15, 16 and 17, the games shall be considered as completed games and remain in a tie.

F. The field of play may be larger than as stated in NFHS Rule 1, Section 1, but not to exceed the dimensions for senior league play.

1. HHSAA shall request to have the field marked 120 yards long by 65 yards wide.

G. The referee shall be responsible to keep the time for the game instead of having a separate timekeeper as in Rule 6, Section 2, Article 1.

H. Equipment: A soft pliable head gear shall be permissible for use by the goalkeeper only.

I. Whenever possible, security should be provided.

V. Tournament Representation

A. Number of Participating Teams in League	-----	X	Number of Teams in
			State Tournament
	Number of Participating Teams in State		

- B. Pac-Five teams are eligible to participate in the following HHSAA state tournaments: football, boys soccer, girls soccer, canoe paddling, girls water polo, softball and baseball. Also, the MIL's Pac-Three football team is eligible to participate in the HHSAA state football tournament.

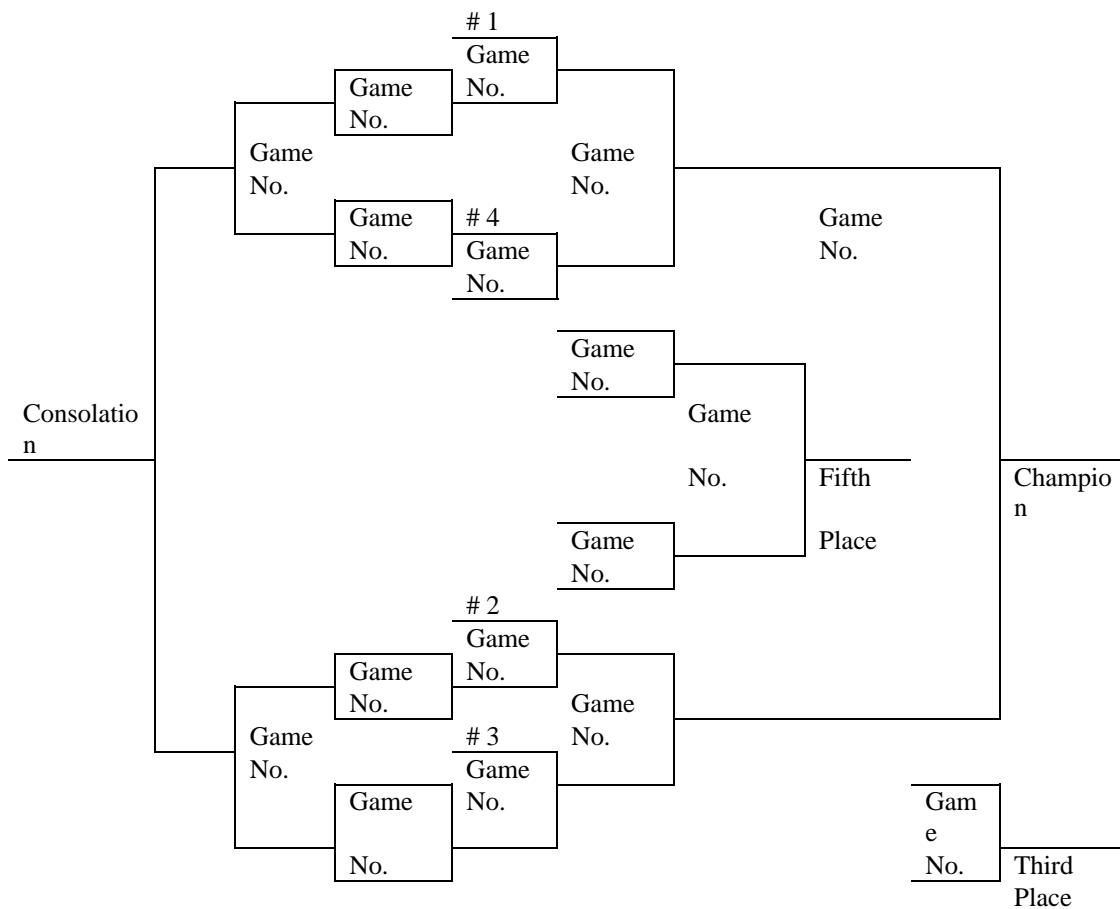
- C. For team-only state tournaments, a combination team shall be counted in the league representation formula as long as one of the schools in the combination team has a minimum number of players, as follows:

Volleyball – 6, Football – 11, Softball – 9, Soccer – 11, Basketball – 5,
Baseball – 9, Canoe Paddling – 6, Water Polo – 7

- D. For team-only state tournaments, if a combination team qualifies for a state tournament, only players from one of the schools with the above-listed minimum number shall be allowed to participate in the state tournament.

VI. Tournament Format

- A. Single elimination format with participating schools to play a minimum of two games, weather permitting.
- B. All playing sites shall be recommended by the Tournament Committee and approved by the HHSAA Executive Director.
- C. Twelve Team Format



D. Tournament Ball

The official tournament ball shall be a regulation ball selected by the Sport Coordinator and the HHSAA Executive Director.

VII. Size of Teams

Schools may bring an unlimited number of players accompanied by authorized coaches. Names of coaches and players must be listed on the official tournament roster.

VIII. Seeding/Pairing

- A. Seeding/Pairings shall be done by the Tournament Seeding/Pairing Committee and provided to the Radio, TV and News media.

Seeding/Pairing Committee

- 1. HHSAA Executive Director, Chairperson
 - 2. Sport Coordinators
 - 3. Tournament Director
 - 4. Others as selected by the Sport Coordinator
- B. Byes shall be granted to four champions from the five leagues according to their demonstrated strength (and seeded one to four accordingly).
 - C. The #2 and #3 teams of a league (where applicable) shall be placed in the opposite bracket from the league's seeded champion.
 - D. The #4 and #5 teams of a league (where applicable) shall be placed in the same bracket as the seeded league champion.
 - E. Pairings shall be made so that teams from the same league do not meet in the first round. The only exception shall be when a league with five or more representatives has the unseeded champion.
 - F. The unseeded league champion (where applicable) shall be paired whenever possible with a #3, #4, #5, or a #6 place team from another league.
 - G. Whenever possible, the top-seeded and second-seeded league champions shall play the winner of the first round game involving the lowest-finishing league qualifier (e.g., OIA #5) in their half of the tournament bracket.
 - H. The tournament seeding/pairings committee shall have the authority to modify any of the above guidelines if necessary.

IX. Uniforms

- A. The school designated player uniform includes identical jerseys or shirts, shorts, stockings and soccer-type shoes.
- B. Jerseys of opposing teams should be of contrasting colors. In the event of similar colors, the coaches involved may be permitted to decide on other alternatives with the approval of the Sport Coordinator and the HHSAA Executive Director.
- C. Beginning with the 2001-02 school year, each team participating in the football, soccer, and basketball state tournaments, shall bring to the state tournament both light and dark sets of uniforms. If a team violates this rule, they shall be subject to a penalty to be determined by the particular sport's HHSAA Sports Coordinator.

X. Awards

- A. Team trophy for the championship team.
- B. Team trophy for the runner-up team.
- C. 20 gold medals for the championship team.
- D. 20 silver medals for the runner-up team.
- E. Schools may order additional medals at their own expense.

XI. Tournament Evaluation

An evaluation report and results of the tournament are to be submitted to the HHSAA Executive Director within two weeks after the tournament.

XII. Admission

Adults	\$7.00
Senior Citizen (62 and over)	\$5.00
Students (Grades K-12)	\$5.00

**HHSAA GIRLS SOCCER STATE CHAMPIONSHIPS
SOUVENIR T-SHIRT & PROGRAM ORDER FORM**



_____ School requests to order the following sizes of the 2011 HHSAA Girls Soccer State Championships Souvenir T-shirts at \$15.00 per shirt and Souvenir Tournament Programs at \$7.00 per program.

Size	Quantity	Price/T-shirt	Total
Small	_____	\$15.00	_____
Medium	_____	\$15.00	_____
Large	_____	\$15.00	_____
X-Large	_____	\$15.00	_____
XX-Large	_____	\$15.00	_____
Tournament Program	_____	\$7.00	_____
		GRAND TOTAL	_____

Please make check payable to: Hawaii High School Athletic Association

Send pre-orders to the host school by Tuesday, February 8, 2011. Checks payable to HHSAA may be sent with pre-orders or brought to the coaches' meeting.

Host School:

Jim Bukes, Athletic Director
University High School
1776 University Avenue
Honolulu, HI 96822
Phone: (808) 956-7955 · Fax: (808) 956-9236

Contact person: _____
Daytime phone: _____
Check one:
<input type="checkbox"/> Check placed in mail
<input type="checkbox"/> Will drop off at coaches meeting

Note: Preorders must be paid in full by first day of the tournament or shirts will be released to the general public.

HHSAA GIRLS SOCCER STATE TOURNAMENT CHAMPIONS

YEAR	CHAMPION	LEAGUE	COACH	SITE
6-TEAM TOURNAMENT FORMAT				
1982	Castle	OIA	Mark Kane	Moanalua & Aiea
1983	Punahou	ILH	Harry Morales	Moanalua & Roosevelt
1984	Punahou	ILH	Harry Morales	Maui War Memorial
1985	Punahou	ILH	Harry Morales	Moanalua & Aiea
1986	Punahou	ILH	Harry Morales	Moanalua, Aiea & Radford
1987	Iolani	ILH	Jeff Moses & George-Ann Derby	Moanalua & Radford
1988	Mililani	OIA	Charles Esperas	Moanalua & Radford
8-TEAM TOURNAMENT FORMAT				
1989	Kamehameha	ILH	Walt Thompson	Moanalua, Radford & Aloha Stadium
1990	Pearl City	OIA	Archie Chung	Moanalua, Radford & Aloha Stadium
1991	Pearl City	OIA	Archie Chung	Mililani, Radford & Aloha Stadium
1992	Iolani	ILH	Jeff Moses & George-Ann Derby	Mililani, Radford & Aloha Stadium
1993	Pearl City	OIA	Archie Chung	Moanalua, Radford & Aloha Stadium
12-TEAM TOURNAMENT FORMAT				
1994	Mililani	OIA	Charles Esperas	Moanalua & Aloha Stadium
1995	Kamehameha	ILH	Michelle Nagamine & Laurie Baker	Aloha Stadium
1996	Kamehameha	ILH	Michelle Nagamine	Aloha Stadium
1997	Pearl City	OIA	Archie Chung	Aloha Stadium
1998	Punahou	ILH	Debbie Ching	Aloha Stadium
1999	Iolani	ILH	George-Ann Derby & Kari Morioka	Maui War Memorial
2000	Baldwin	MIL	Kawika Keator	Aloha Stadium
2001	Baldwin	MIL	Kawika Keator	Waipio Peninsula Soccer Complex & Aloha Stadium
2002	Mililani	OIA	James Uson	Waipio Peninsula Soccer Complex
2003	Punahou	ILH	Jorge Barbosa	Maui War Memorial
2004	Punahou	ILH	Jorge Barbosa	Waipio Peninsula Soccer Complex
2005	Punahou	ILH	Jorge Barbosa	Waipio Peninsula Soccer Complex
2006	KS-Kapalama	ILH	Michele Nagamine	Kamehameha-Maui

DIVISION I

YEAR	CHAMPION	LEAGUE	COACH	SITE
2007	KS-Kapalama	ILH	Michele Nagamine	Waipio Peninsula Soccer Complex
2008	KS-Kapalama	ILH	Michele Nagamine	Waipio Peninsula Soccer Complex
2009	Punahou	ILH	Matt Martinson	Waipio Peninsula Soccer Complex
2010	Punahou	ILH	Matt Martinson	Waipio Peninsula Soccer Complex

DIVISION II

YEAR	CHAMPION	LEAGUE	COACH	SITE
2007	Pac-Five	ILH	Eddie Wong	Waipio Peninsula Soccer Complex
2008	KS-Hawaii	BIIF	Charles Heaukulani	Waipio Peninsula Soccer Complex
2009	Pac-Five	ILH	Eddie Wong	Waipio Peninsula Soccer Complex
2010	Pac-Five	ILH	Eddie Wong	Waipio Peninsula Soccer Complex