



DATAHOUSE SOFTBALL STATE CHAMPIONSHIPS
TUESDAY-FRIDAY, MAY 3-6, 2011
RAINBOW WAHINE SOFTBALL STADIUM &
PATSY T. MINK CENTRAL OAHU REGIONAL PARK

DATA HOUSE SOFTBALL STATE CHAMPIONSHIPS
MAY 3-6, 2011
RAINBOW WAHINE SOFTBALL STADIUM & PATSY T. MINK CENTRAL OAHU REGIONAL PARK

HAWAII HIGH SCHOOL ATHLETIC ASSOCIATION

HHSAA Executive Director Chris Chun
Office Manager..... Russell Aoki
Director of Information Natalie Iwamoto
Asst. Director of Information Wes Nakama
HHSAA Softball Coordinators..... Bryce Kaneshiro & Laynie Sueyasu
HHSAA Umpires Coordinators..... John Burke & Warren Okinaka

TOURNAMENT COMMITTEE

Host Schools..... St. Andrew's Priory & Nanakuli High School
Tournament Directors..... Missy Kilbey & Andrew Moody
OIA Executive Director..... Dwight Toyama
ILH Executive Director Don Botelho
Rules John Burke, Chris Chun, Bryce Kaneshiro & Laynie Sueyasu
Pairings..... Chris Chun, Bryce Kaneshiro, Laynie Sueyasu & league representatives
Medical Personnel OIA & ILH Athletic Trainers
Official Scorekeeper..... Wes Nakama
Awards & Ceremony DataHouse

SPECIAL THANKS

DataHouse Dan Arita
University of Hawaii Athletics Teri Wilhelm-Chang, Assistant Athletics Director
..... Sis Finau, Administrative Officer
..... Kyle Tengan, Makai Campus Coordinator
..... Bob Coolen, Head Softball Coach
..... Walter Watanabe, Ticket Office Manager
..... Kelsy Yoshimura, Assistant Ticket Office Manager
Central Oahu Regional Park..... Glenn Kajiwara, District V Manager
..... Steve Dilda, Regional Park Manager

DATA HOUSE SOFTBALL STATE CHAMPIONSHIPS
MAY 3-6, 2011
RAINBOW WAHINE SOFTBALL STADIUM / PATSY T. MINK CENTRAL OAHU REGIONAL PARK

TOURNAMENT INFORMATION

I. HHSAA SOFTBALL REGULATIONS

HHSAA Softball Regulations may be found in the HHSAA Handbook.

II. ROSTERS, TEAM PICTURES & PHOTO CAPTION

Schools with teams that have secured or are in contention for a tournament berth are required to submit team rosters, team photo and photo caption via e-mail to iwamoto@hhsaa.org and faith@tradepublishing.com. (All three items must be sent to both e-mail addresses)

The official roster form can be downloaded at www.sportshigh.com. Only official roster forms will be accepted and the roster **MUST** be e-mailed to the above e-mail addresses. Please be sure to save the rosters, photos and captions with your school name (do not abbreviate, i.e. KHS, MHS, WHS, etc.). Also, please put your school name and sport in the subject line of the e-mail.

Team pictures submitted on disk or via e-mail are required to be **300 dpi or greater**. Otherwise, a hard copy of the team picture is required and must be mailed or hand delivered to the below address. Photo captions identifying individuals (left to right and by row) must be e-mailed or delivered to Trade Publishing in a digital format (i.e. saved on a CD, flash drive).

Trade Publishing Co.
 Attn: Faith Freitas (Ph: 848-0711)
 287 Mokauea Street
 Honolulu, HI 96819

DEADLINE: TUESDAY APRIL 26, 2011, NOON

III. TOURNAMENT REPRESENTATION

	DIVISION I	DIVISION II
OIA	6	4
ILH	2	1*
BIIF	2	3
MIL	2	2
KIF	0	1*
TOTAL	12	11*

* ILH and KIF tied for final DII tournament berth.

IV. PRE-TOURNAMENT MEETING

Head coaches or their designees are **required** to attend the pre-tournament coaches meeting scheduled for **Tuesday, May 3, 2011, at 11:00 a.m. at University of Hawaii Rainbow Wahine Softball Stadium.**

V. OFFICIAL GAME BALL

Dudley SB12LRF FP NHSF (Optic yellow cover with red stitches)
 CUL .47 (Compression approximately 250-300 psi)

VI. TOURNAMENT SCHEDULE

DIVISION I

(All games at Rainbow Wahine Softball Stadium, University of Hawaii at Manoa)

Tuesday, May 3, 2011

Game #1	1:00 p.m.	First round game
Game #2	3:00 p.m.	First round game
Game #3	5:00 p.m.	First round game
Game #4	7:00 p.m.	First round game

Wednesday, May 4, 2011

Game #5	9:00 a.m.	Consolation game
Game #6	11:00 a.m.	Consolation game
Game #7	1:00 p.m.	Quarterfinal game
Game #8	3:00 p.m.	Quarterfinal game
Game #9	5:00 p.m.	Quarterfinal game
Game #10	7:00 p.m.	Quarterfinal game

Thursday, May 5, 2011

Game #11	9:00 a.m.	Consolation game
Game #12	11:00 a.m.	Consolation game
Game #13	5:00 p.m.	Semifinal game
Game #14	7:00 p.m.	Semifinal game

Friday, May 6, 2011

Game #15	9:00 a.m.	Winner Game #5 vs. Winner Game #6
Game #16	11:00 p.m.	Winner Game #11 vs. Winner Game #12
Game #17	3:00 p.m.	Loser Game #13 vs. Loser Game #14
Game #18	7:00 p.m.	Winner Game #13 vs. Winner Game #14

DIVISION II

Tuesday, May 3, 2011

(Central Oahu Regional Park)

Game #1	5:00 p.m.	First round game (Field 1)
Game #2	5:00 p.m.	First round game (Field 2)
Game #3	7:00 p.m.	First round game (Field 1)
Game #4	7:00 p.m.	First round game (Field 2)

Wednesday, May 4, 2011

(Central Oahu Regional Park)

Game #5	5:00 p.m.	Consolation game (Field 1)
Game #6	5:00 p.m.	Consolation game (Field 2)
Game #7	5:00 p.m.	Quarterfinal game (Field 3)
Game #8	7:00 p.m.	Quarterfinal game (Field 1)
Game #9	7:00 p.m.	Quarterfinal game (Field 2)
Game #10	7:00 p.m.	Quarterfinal game (Field 3)

Thursday, May 5, 2011

(Central Oahu Regional Park / Rainbow Wahine Softball Stadium)

Game #11	5:00 p.m.	Consolation game (Field 1)
Game #12	5:00 p.m.	Consolation game (Field 2)
Game #13	1:00 p.m.	Semifinal game (Rainbow Wahine Softball Stadium)
Game #14	3:00 p.m.	Semifinal game (Rainbow Wahine Softball Stadium)
Game #15	7:00 p.m.	Consolation (Field 1)
Game #16	7:00 p.m.	Fifth Place (Field 2)

**Friday, May 6, 2011
(Rainbow Wahine Softball Stadium)**

Game #17	1:00 p.m.	Third Place Game
Game #18	5:00 p.m.	Championship game

VII. CODE OF CONDUCT

The coach shall have direct responsibility for conduct of team members prior to, during and after tournament competition (in the hotel, in public, at the tournament, transporting to and from sites).

The HHSAA Executive Director may establish a common curfew hour as necessary.

The drinking of alcoholic beverages, smoking, drug use, loud, unruly or destructive behavior will not be tolerated.

Coaches are requested to inform their athletes of hotel rules and regulations. Please emphasize the importance of appropriate conduct and behavior and consideration for other hotel guests. Schools and students will be charged for any damages incurred by them at the hotel.

It is recommended that schools inform parents regarding the code-of-conduct in writing.

VIII. STATE TOURNAMENT DISQUALIFICATION RULE

Any student-athlete or coach disqualified before, during, or after a state tournament game/match/event for unsportsmanlike conduct, flagrant verbal misconduct, or flagrant physical misconduct shall be disqualified from his/her next scheduled state tournament game/match/event for that sport. The student-athlete or coach has the right to appeal any such disqualification to an appeals committee for the particular sport. Should a student-athlete or coach be disqualified from the final state tournament game/match/event for that sport, said disqualification shall NOT carry over to the following school year's state tournament for that sport. Instead, the student-athlete's or coach's league shall determine any appropriate penalty or sanction.



Data House Softball State Championships
Division I Tournament Bracket
 May 3-6, 2011 – Rainbow Wahine Softball Stadium

Friday
May 6

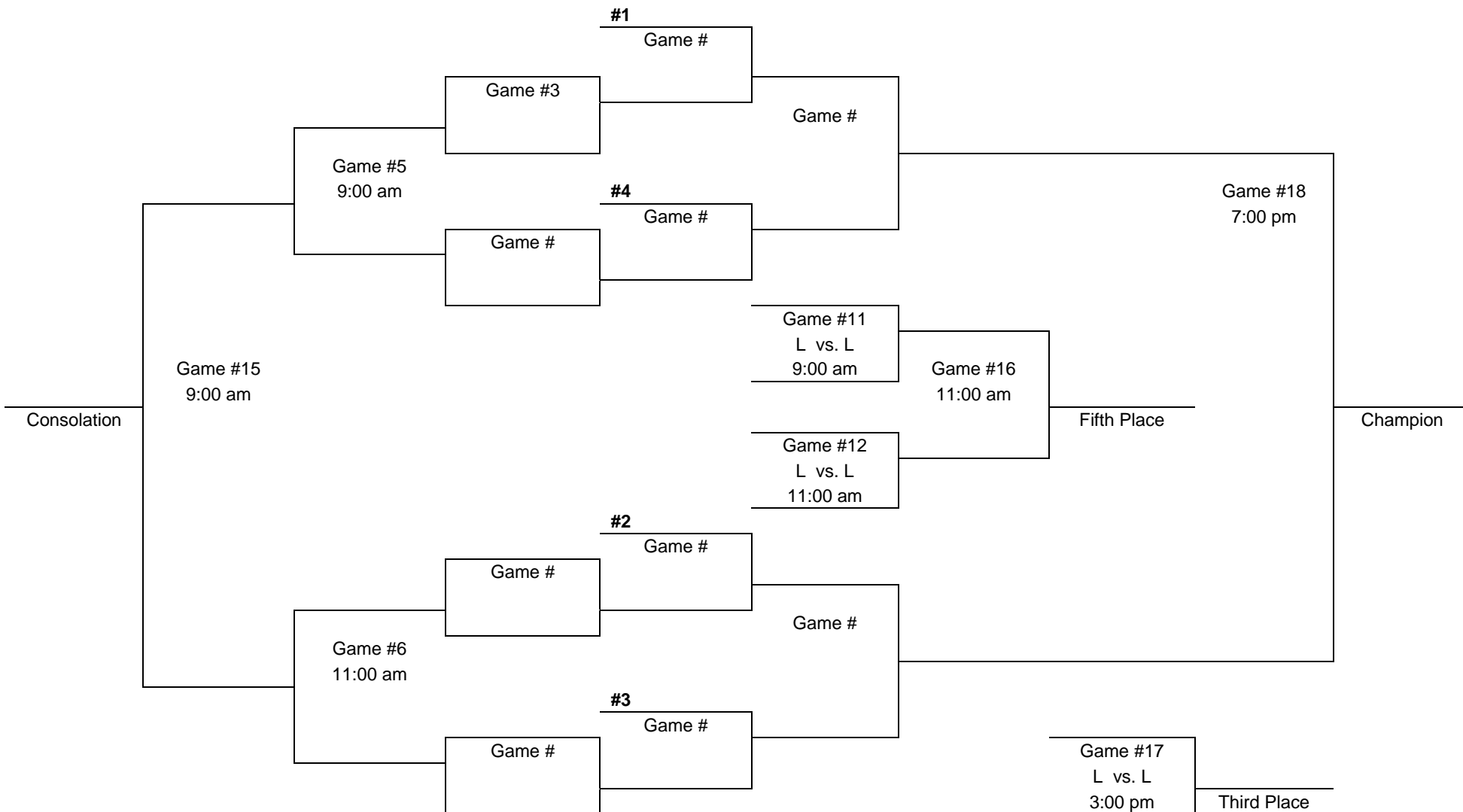
Wednesday
May 4

Tuesday
May 3

Wednesday
May 4

Thursday
May 5

Friday
May 6





Data House Softball State Championships Division II Tournament Bracket

May 3-6, 2011 – CORP / RWSS

Thursday
May 5

Wednesday
May 4

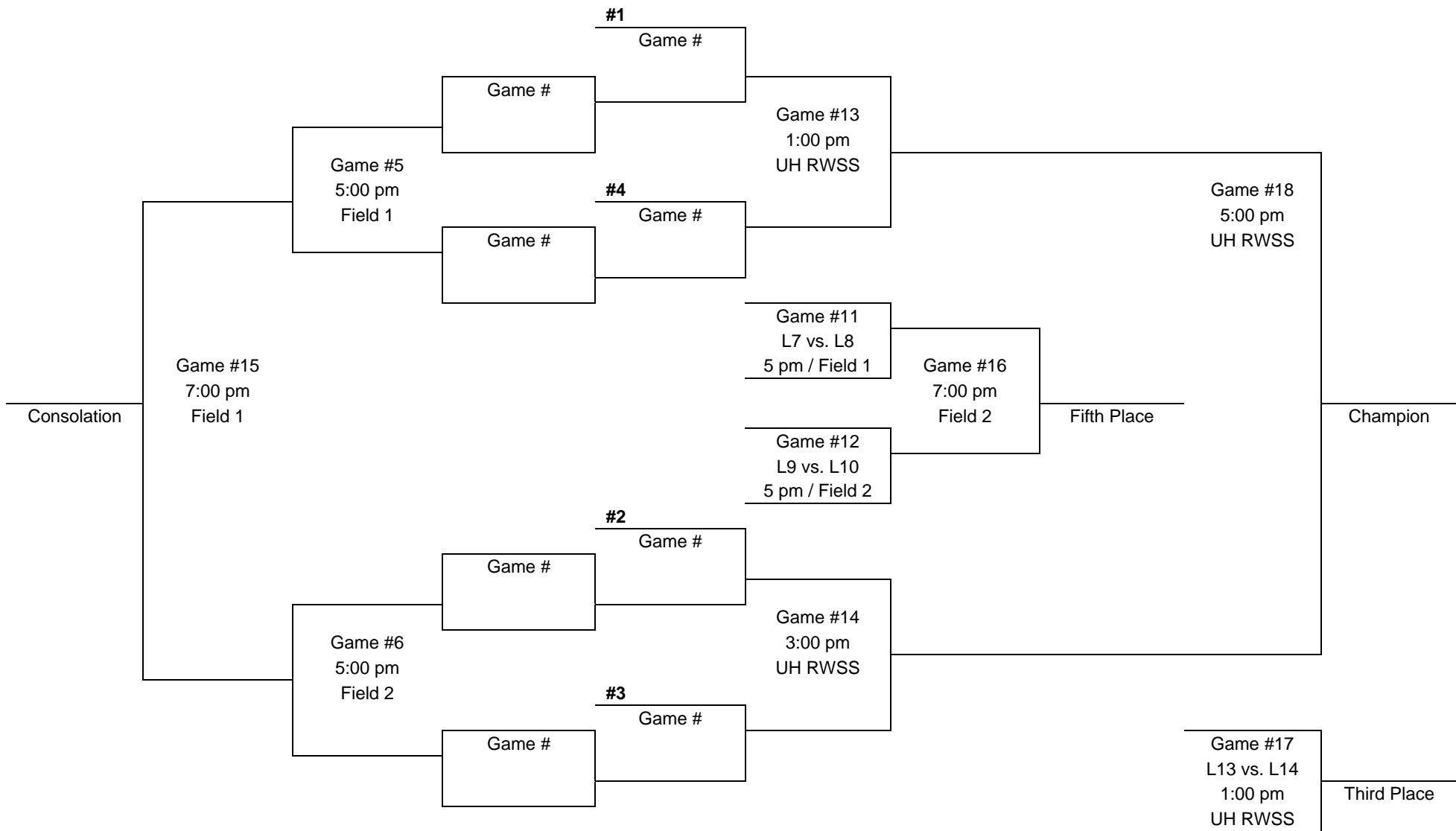
Tuesday
May 3

Wednesday
May 4

Thursday
May 5

Thursday
May 5

Friday
May 6



SOFTBALL TOURNAMENT

I. Specific Objectives

- A. To select a state champion for softball through tournament competition.
- B. To recognize the combined efforts of all the participating teams in the tournament.
- C. To emphasize the need and value of proper respect for the opponents with regard to their organized cheering activities.
- D. To encourage the highest principles and standards of general behavior.

II. Officials

A. Qualifications

- 1. All officials should have taken the National Federation examination.
- 2. Officials should have attended at least one clinic.
- 3. See HHSAA Handbook, Part V, Tournament Procedures—Registration and Certification of Officials.

B. Selection

- 1. Officials shall be selected by the HHSAA Executive Director, Sport Coordinator and Tournament Director.
- 2. The Sport Coordinator, with the approval of the HHSAA Executive Director shall schedule officials for all games.
- 3. The HHSAA Executive Director shall make a contractual agreement with the game officials selected, committing them to officiate all games assigned.
- 4. Leagues may request officials to work in the tournament but shall be responsible for official's expenses to the tournament.

C. Financial Allowance

- 1. Three umpires shall be compensated in accordance with current official's rates for all games, excluding the championship game.
- 2. For the championship game, four umpires shall be compensated at HHSAA rates.
- 3. HHSAA rate: Plate Umpire (\$45), Base Umpires (\$35)

D. Uniform

- 1. All state tournament officials/umpires shall wear uniforms in accordance with their sport's NFHS rules/guidelines/recommendations. In the absence of any NFHS rules/guidelines/recommendations, the sport's HHSAA Sport Coordinator shall have the final say as to the appropriateness of a state tournament official's/umpire's uniform.

III. Eligibility (See HHSAA Handbook)

IV. Rules Governing Tournament

- A. National Federation Softball Rules shall prevail.
- B. HHSAA Modification of National Federation Softball Rules:

1. The ten-run rule will be in effect for all games in the tournament.
2. Suspended game: Game shall resume where game was suspended (discretion of HHSAA Executive Director and Tournament Committee).
 - a. If less than four and one-half innings were played or
 - b. Game tied after four and one-half innings.
 - c. All championship games shall be governed by the above rule.
 - d. After the first day of tournament play, games that have no bearing on the championship but a bearing on the tournament schedule for the following day (consolation and third place playoff) shall be on a time-limit basis with no inning to start one and one-half hours after the start of the game. The number of hits minus number of errors will determine the team to be accommodated in the tournament schedule for the following day. If a tie still exists, then a flip-of-the-coin shall determine the winner.
 - e. Playing site(s) shall be recommended by the Sport Coordinator and Tournament Committee and selected by the HHSAA Executive Director.
 - f. Consolation games scheduled on school or other alternate sites may not be on a time-limit basis. In case of an alternative decision, the Executive Director and Tournament Committee shall make the necessary changes.
3. Only "hard" helmet type hat is permitted as required by the National Federation. Bats must conform to current ASA standard.
4. The 60 seconds speed-up rule between half innings shall be in effect.
5. No photographer shall be permitted on the playing field during the game.
6. Host school or league must provide adequate ball chasers for every game.
7. All tobacco matters are prohibited before game (locker room) and during game (dugout and playing field). Infraction of this rule shall result in ejection of the individual(s) from the game.
8. A double-first base will be used in the HHSAA state softball tournament.

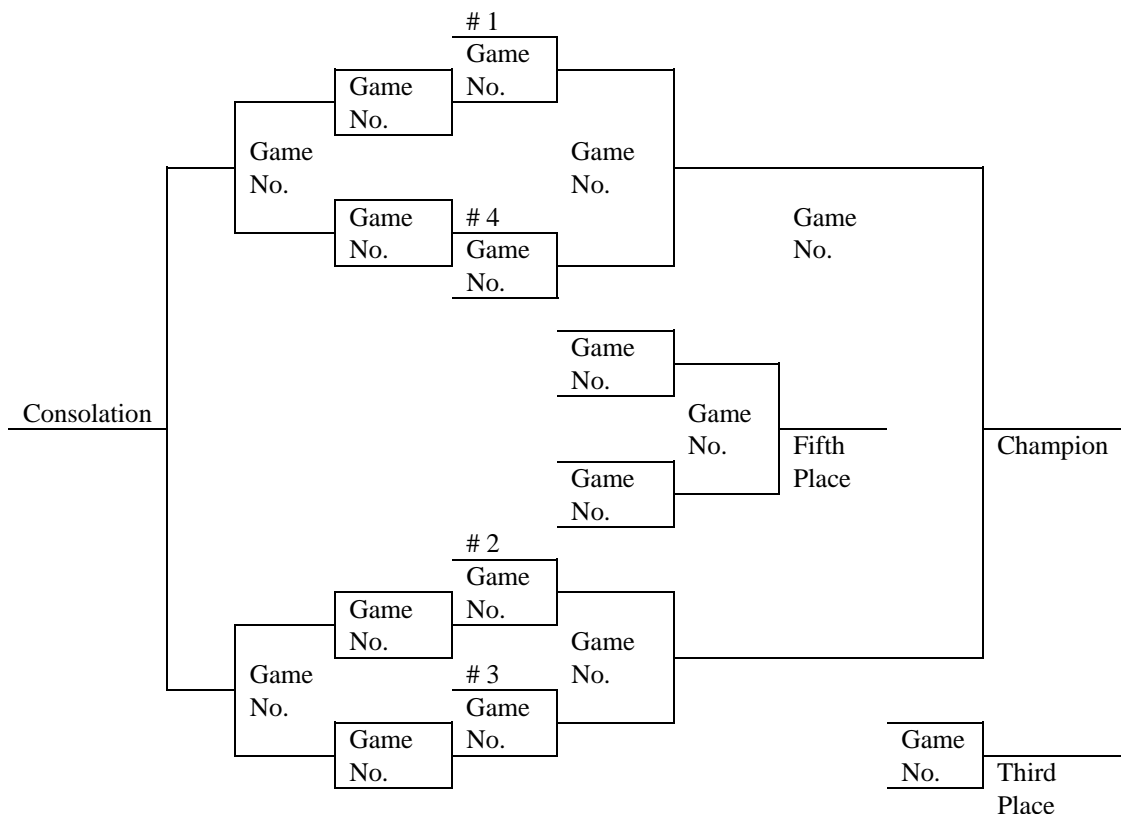
V. Tournament Representation

- A. Number of Participating Teams in League Number of Teams in
 ----- X State Tournament
 Number of Participating Teams in State
- B. Pac-Five teams are eligible to participate in the following HHSAA state tournaments: football, boys soccer, girls soccer, canoe paddling, girls water polo, softball and baseball. Also, the MIL's Pac-Three football team is eligible to participate in the HHSAA state football tournament.
- C. For team-only state tournaments, a combination team shall be counted in the league representation formula as long as one of the schools in the combination team has a minimum number of players, as follows:
- Volleyball – 6, Football – 11, Softball – 9, Soccer – 11, Basketball – 5, Baseball – 9, Canoe Paddling – 6, Water Polo - 7
- D. For team-only state tournaments, if a combination team qualifies for a state tournament, only players from one of the schools from the above-listed minimum number shall be allowed to participate in the state tournament.

VI. Tournament Format

- A. Weather permitting, all teams in the tournament shall be assured a minimum of two games. The HHSAA Executive Director may re-schedule the time and site whenever deemed necessary.
- B. There shall be a minimum of a ten (10) minute interval between all tournament games. However, the preceding game may not start prior to the established scheduled time.

C. Twelve Team Single Elimination Tournament Format



VII. Size of Team in Tournament

Schools may bring an unlimited number of players accompanied by authorized coaches. Name of coaches and players must be listed on the official tournament roster form.

VIII. Seeding/Pairing

- A. Seeding/Pairings shall be done by the Tournament Seeding/Pairing Committee and provided to the Radio, TV and News media.

Seeding/Pairing Committee

1. HHSAA Executive Director, Chairperson
2. Sport Coordinators
3. Tournament Director
4. Others as selected by the Sport Coordinator

- B. Byes shall be granted to four champions from the five leagues according to their demonstrated strength (and seeded one to four accordingly).
- C. The #2 and #3 teams of a league (where applicable) shall be placed in the opposite bracket from the league's seeded champion.
- D. The #4 and #5 teams of a league (where applicable) shall be placed in the same bracket as the seeded league champion.
- E. Pairings shall be made so that teams from the same league do not meet in the first round. The only exception shall be when a league with five or more representatives has the unseeded champion.

- F. The unseeded league champion (where applicable) shall be paired whenever possible with a #3, #4, #5, or a #6 place team from another league.
- G. Whenever possible, the top-seeded and second-seeded league champions shall play the winner of the first round game involving the lowest-finishing league qualifier (e.g., OIA #5) in their half of the tournament bracket.
- H. The tournament seeding/pairings committee shall have the authority to modify any of the above guidelines if necessary.

IX. Uniforms

- A. Mandatory school designated uniform for all coaches and players shall be of the same color and style which includes: uniforms, shirts, softball pants (short or long) and shoes.
- B. Markings allowed on a player’s helmet are restricted to: school logo, American flag, award stickers of recognition given by the school, and numbers.

X. Awards and Trophies

- A. Team trophy for the championship team
- B. Team trophy for the runner-up team
- C. 20 medals for the championship team members
- D. 20 medals for the runner-up team members
- E. Schools may order additional medals for team members at their own expense.

XI. Tournament Evaluation

An evaluation report and results of the tournament are to be submitted to the HHSAA Executive Director within two weeks after the tournament.

XII. Admission

Rainbow Wahine Softball Stadium

General	\$7.00
Senior Citizens (62 and over)	\$5.00
Students (Grades K-12)	\$5.00

Admission will not be charged for the Division II games played at Central Oahu Regional Park.

SOUVENIR T-SHIRT PRE-TOURNAMENT ORDER FORM



_____ School requests the following sizes of the 2011 Softball State Championships souvenir t-shirts at \$15.00 per shirt and souvenir tournament programs at \$7.00 per program.

Size	Quantity	Price/T-shirt	Total
Small		\$15.00	
Medium		\$15.00	
Large		\$15.00	
X-Large		\$15.00	
XX-Large		\$15.00	
State Tournament Program		\$7.00	
		GRAND TOTAL	

Please make check payable to: Hawaii High School Athletic Association
 Send preorders your designated tournament's host school by Monday, May 2, 2011, to ensure delivery at the pretournament coaches meeting. Checks payable to HHSAA may be sent with preorders or brought to the coaches' meeting/tournament.

<p>Division I: Missy Kilbey, Athletic Director St. Andrew's Priory 224 Queen Emma Square Honolulu, Hawaii 96813 Ph: 532-2461 · Fax: 532-2465 E-mail: mkilbey@priory.net</p>	<p>Division II: Andrew Moody, Athletic Director Nanakuli High School 89-980 Nanakuli Avenue Nanakuli, Hawaii 96792 Ph: 668-5832 · Fax: 668-5853 E-mail: andrew_moody@notes.k12.hi.us</p>
--	---

Note: Compliments of the softball tournaments' title sponsor, DataHouse, each team shall be provided 12 free t-shirts for the participating athletes, which will be distributed at the pretournament coaches' meeting. Please complete this form and send in to the host school by the deadline. Additional shirts above the allotted 12 complimentary shirts must be paid in full by first day of the tournament or shirts will be released to the general public.

Contact person: _____

Phone: _____

School: _____

Check one:
 Check placed in mail
 Will drop off at coaches meeting

HHSAA SOFTBALL CHAMPIONSHIP RECORDS

<u>Year</u>	<u>Champion</u>	<u>League</u>	<u>Coach</u>	<u>Site</u>
1977	Castle	OIA	William Pimental	Cartwright & Kamamalu Park
1978	Hilo	BIIF	Callen Perreira	Kauai County Park
1979	University High	ILH	Corinne Chang	Waipahu Field
1980	Pearl City	OIA	Louis Silva	Roosevelt Field
1981	Kailua	OIA	Howard Okita	Maui Memorial Field
1982	Kailua	OIA	Howard Okita	Roosevelt Field
1983	Kailua	OIA	Howard Okita	Roosevelt Field
1984	Pearl City	OIA	Robert Galbiso	Roosevelt Field
1985	Kamehameha	ILH	Henry Makekau	Isenberg Field
1986	Kailua	OIA	Howard Okita	Wong Stadium
1987	Kamehameha	ILH	Henry Makekau	Roosevelt Stadium
1988	Kailua	OIA	Howard Okita	Roosevelt Stadium
1989	Kailua	OIA	Howard Okita	Roosevelt Stadium
1990	Waimea	KIF	Albert Soto	Roosevelt Stadium
1991	Kamehameha	ILH	Henry Makekau	Roosevelt Stadium
1992	Pearl City	OIA	Wesley Uyehara	Roosevelt Stadium
1993	Kamehameha	ILH	Henry Makekau	Roosevelt Stadium
1994	Kamehameha	ILH	Henry Makekau	Roosevelt Stadium
1995	Kailua	OIA	Bernard Victor	Roosevelt Stadium
1996	Kailua	OIA	Bernard Victor	Roosevelt Stadium
1997	Kailua	OIA	Bernard Victor	Roosevelt Stadium
1998	Kamehameha	ILH	Kit Kitagawa	Roosevelt Stadium
1999	Iolani	ILH	Chris Shimabukuro	Rainbow Wahine Softball Stadium
2000	Iolani	ILH	Chris Shimabukuro	Rainbow Wahine Softball Stadium
2001	Baldwin	MIL	Ryan Souza	Rainbow Wahine Softball Stadium
2002	Kamehameha	ILH	Ty Sing Chow	Rainbow Wahine Softball Stadium
2003	Kailua	OIA	Bernard Victor	Rainbow Wahine Softball Stadium

DIVISION I SOFTBALL STATE CHAMPIONS & SEMIFINALISTS

YEAR	CHAMPION	COACH	RUNNER-UP	THIRD PLACE	FOURTH PLACE	SITE
2004	Kapolei	Tony Saffery	Kailua	KS-Kapalama/Punahou (tied for 3 rd place)		Rainbow Wahine Softball Stadium
2005	Mililani	Mike Okimoto	Kapolei	Pearl City	Kailua	Rainbow Wahine Softball Stadium
2006	Pearl City	Keoke Behic	Mililani	Kapolei	Moanalua	Rainbow Wahine Softball Stadium
2007	Baldwin	Rudy Souza	Mililani	Iolani	St. Francis	Rainbow Wahine Softball Stadium
2008	KS-Kapalama	Randy Tamura	Mililani	Campbell	Waiakea	Rainbow Wahine Softball Stadium
2009	Mililani	Rose Antonio	Roosevelt	Iolani	Baldwin	Rainbow Wahine Softball Stadium
2010	Campbell	Wayne Nagamine	Punahou	Mililani	Castle	Rainbow Wahine Softball Stadium

DIVISION II SOFTBALL STATE CHAMPIONS & SEMIFINALISTS

YEAR	CHAMPION	COACH	RUNNER-UP	THIRD PLACE	FOURTH PLACE	SITE
2004	University	Randy Oyama	Kalaheo	Lanai	Honokaa	Rainbow Wahine Softball Stadium
2005	St. Francis	Mark Glushenko	Waipahu			Rainbow Wahine Softball Stadium
2006	Pac-Five	Randy Oyama	Sacred Hearts	KS-Hawaii	Aiea	Rainbow Wahine Softball Stadium
2007	Sacred Hearts	Wade Okamura	Kauai	KS-Hawaii	Maryknoll	Rainbow Wahine Softball Stadium
2008	Pac-Five	Randy Oyama	Kauai	Kapaa	Lanai	Rainbow Wahine Softball Stadium
2009	Kauai	Darrell Borrero	Waialua	Kaiser	KS-Hawaii	Rainbow Wahine Softball Stadium
2010	Pac-Five	Cecil Hasegawa	Waimea	Kalani	Waialua	Rainbow Wahine Softball Stadium

* No third and fourth place teams in 2005 as game was cancelled due to heavy rain.