



**HAWAII HIGH SCHOOL ATHLETIC ASSOCIATION
BOYS BASKETBALL STATE CHAMPIONSHIPS
FEBRUARY 17-21, 2020**

DIVISION I:

TBD School Sites (Feb. 17)
Moanalua & McKinley High Schools (Feb. 19)
Stan Sheriff Center (Feb. 20, 21)

DIVISION II:

Kaimuki & Kalani High School (Feb. 19, 20)
Stan Sheriff Center (Feb. 21)

**HAWAII HIGH SCHOOL ATHLETIC ASSOCIATION
BOYS BASKETBALL STATE CHAMPIONSHIPS
February 17-21, 2020**

HAWAII HIGH SCHOOL ATHLETIC ASSOCIATION

Executive DirectorChris Chun
Associate Director Russell Aoki
Director of Information Natalie Iwamoto
Boys Basketball CoordinatorHugh Taufaaasau
Boys Basketball Officials Co-Coordinators..... Francis Aiu and Alton Mamiya

TOURNAMENT COMMITTEE

Host School John Chung, Roosevelt High School
Site Directors Bob Morikuni, McKinley High School
.....Joel Kawachi, Moanalua High School
.....Fred Lee, Kaimuki High School
.....Greg Van Cantfort, Kalani High School
Big Island Interscholastic FederationLyle Crozier, Executive Director
..... Hoku Haliniak, Coordinator
Interscholastic League of Honolulu Blane Gaison, Executive Director
.....Peter Estomago, Coordinator
Kauai Interscholastic FederationBrent Mizutani, Executive Director
..... Kelii Morgado, Coordinator
Maui Interscholastic League.....Joseph Balangitao, Executive Director
..... Scott Soldwisch, Coordinator
Oahu Interscholastic Association..... Raymond Fujino, Executive Director
.....John Chung, Coordinator
Athletic Trainers OIA, ILH
Stan Sheriff CenterRich Sheriff, Stan Sheriff Center Manager
.....Teri Wilhelm-Chang, Asst. Athletic Director for Facilities & Events
.....Sis Finau, Administrative Officer for Facilities & Events
..... Russ Gima, Rico Nakashima, Stan Sheriff Center Asst. Managers
..... Walter Watanabe, UH Athletics Ticket Manager

**HAWAII HIGH SCHOOL ATHLETIC ASSOCIATION
BOYS BASKETBALL STATE CHAMPIONSHIPS
MONDAY-SATURDAY, FEBRUARY 17-21, 2020**

TOURNAMENT INFORMATION

I. HHSAA BOYS BASKETBALL REGULATIONS

HHSAA Boys Basketball Regulations may be found in the HHSAA Handbook section found in this packet.

II. ROSTERS, TEAM PICTURES & PHOTO CAPTION

Schools with teams that have secured or are in contention for a tournament berth are required to submit team rosters, team photo and photo caption via e-mail to roster@hhsaa.org and roster@tradepublishing.com.

The official roster form can be downloaded at www.sportshigh.com. Only official roster forms will be accepted and the roster MUST be e-mailed to the above e-mail addresses. Please be sure to save the rosters, photos and captions with your school name (do not abbreviate, i.e. KHS, MHS, WHS, etc.). Also, please put your school name and sport in the subject line of the e-mail.

DEADLINE: FRIDAY, FEB. 7, 2020, NOON

III. TOURNAMENT REPRESENTATION

Tournament representation as of 1/23/20. Visit www.sportshigh.com for current tournament representation.

	Division I	Division II
OIA	5	2
ILH	3	2
BIIF	2	2
MIL	2	1
KIF	0	1
TOTAL	12	8

IV. TOURNAMENT OFFICIALS' AND HEAD COACHES' MEETING

There will be no pre-tournament coaches meeting. Tournament information will be sent to coaches via e-mail prior to the start of the tournament.

V. TOURNAMENT SCHEDULE

Division I:

Monday, February 17, 2020 (School Sites TBD)

Game #	TBD	First round game (ILH)
Game #	TBD	First round game (OIA)
Game #	TBD	First round game (MIL)
Game #	TBD	First round game (BIIF)

Wednesday, February 19, 2020 (McKinley H.S. / Moanalua)

Game #	5:00 p.m.	Quarterfinal game (Moanalua H.S.)
Game #	7:00 p.m.	Quarterfinal game (Moanalua H.S.)
Game #	5:00 p.m.	Quarterfinal game (McKinley H.S.)
Game #	7:00 p.m.	Quarterfinal game (McKinley H.S.)

Thursday, February 20, 2020 (all games at Stan Sheriff Center)

Game #	1:00 p.m.	Consolation game
Game #	3:00 p.m.	Consolation game
Game #	5:00 p.m.	Semifinal game
Game #	7:00 p.m.	Semifinal game

Friday, February 21, 2020 (all games at Stan Sheriff Center)

Game #13	9:00 a.m.	5 th Place Game
Game #14	1:00 p.m.	3 rd Place Game
Game #15	7:00 p.m.	Championship

The official time allotted between games (in the championship bracket) is 15 minutes.
No game shall start before the established starting time.

Division II:

Wednesday, February 19, 2020 (Kaimuki H.S. / Kalani H.S.)

Game #	5:00 p.m.	First round game (Kaimuki H.S.)
Game #	7:00 p.m.	First round game (Kaimuki H.S.)
Game #	5:00 p.m.	First round game (Kalani H.S.)
Game #	7:00 p.m.	First round game (Kalani H.S.)

Thursday, February 20, 2020 (Kaimuki H.S. / Kalani H.S.)

Game #	5:00 p.m.	Semifinal game (Kaimuki H.S.)
Game #	7:00 p.m.	Semifinal game (Kaimuki H.S.)
Game #	5:00 p.m.	Consolation game (Kalani H.S.)
Game #	7:00 p.m.	Consolation game (Kalani H.S.)

Friday, February 21, 2020 (all games at Stan Sheriff Center)

Game #9	11:00 a.m.	5 th Place Game
Game #10	3:00 p.m.	3 rd Place Game
Game #11	5:00 p.m.	Championship

The official time allotted between games (in the championship bracket) is 15 minutes. No game shall start before the established starting time.

VI. TOURNAMENT BALL

The official tournament ball is the Baden Perfection Elite

VII. UNIFORMS

Whenever the name of the school appears above the name of its opponent in the bracket pairing, that team shall wear light uniforms. Whenever the name of a team appears below its opponent in the bracket pairing, that team shall wear dark uniforms.

VIII. TOURNAMENT REGULATIONS

Player Bench Occupants:

During a contest, the player-bench may be occupied by eligible substitutes, coaches, faculty representative, bona fide team managers, team statisticians, scorekeeper and team trainer or physician.

Only one team scorekeeper may sit on the tournament official's table at any one time.

Locker Room:

Coaches are requested to inform their athletes of the importance of appropriate conduct and behavior in the locker room. Schools and students will be charged for any damages incurred by them in the locker room.

Use of Floor between Halftime of Tournament Games:

The tournament site manager(s) shall be responsible to see that basket shooting shall not be permitted between halves of tournament games, except for the few minutes required by each team to warm-up prior to the start of the second half.

Cheerleading advisors should check with the Tournament Director for use of the floor during halftime and between games.

IX. PRACTICE SESSIONS PRIOR TO TOURNAMENT GAMES

There will be no practice time allotted to any team in the state tournament at any of the state tournament venues.

X. CODE OF CONDUCT

The Coach shall have direct responsibility for conduct of team members prior to, during and after tournament competition (in the hotel, in public, at the tournament, transporting to and from sites).

The HHSAA Executive Director may establish a common curfew hour as necessary.

The drinking of alcoholic beverages, smoking, drug use, loud, unruly or destructive behavior will not be tolerated.

Coaches are requested to inform their athletes of hotel rules and regulations. Please emphasize the importance of appropriate conduct and behavior and consideration for other hotel guests. Schools and students will be charged for any damages incurred by them at the hotel.

It is recommended that schools inform parents regarding the code-of-conduct in writing.

XI. STATE TOURNAMENT DISQUALIFICATION RULE

Any student-athlete or coach disqualified before, during, or after a state tournament game/match/event for unsportsmanlike conduct, flagrant verbal misconduct, or flagrant physical misconduct shall be disqualified from his/her next scheduled state tournament game/match/event for that sport. The student-athlete or coach has the right to appeal any such disqualification to an appeals committee for the particular sport. Should a student-athlete or coach be disqualified from the final state tournament game/match/event for that sport, said disqualification shall NOT carry over to the following school year's state tournament for that sport. Instead, the student-athlete's or coach's league shall determine any appropriate penalty or sanction.



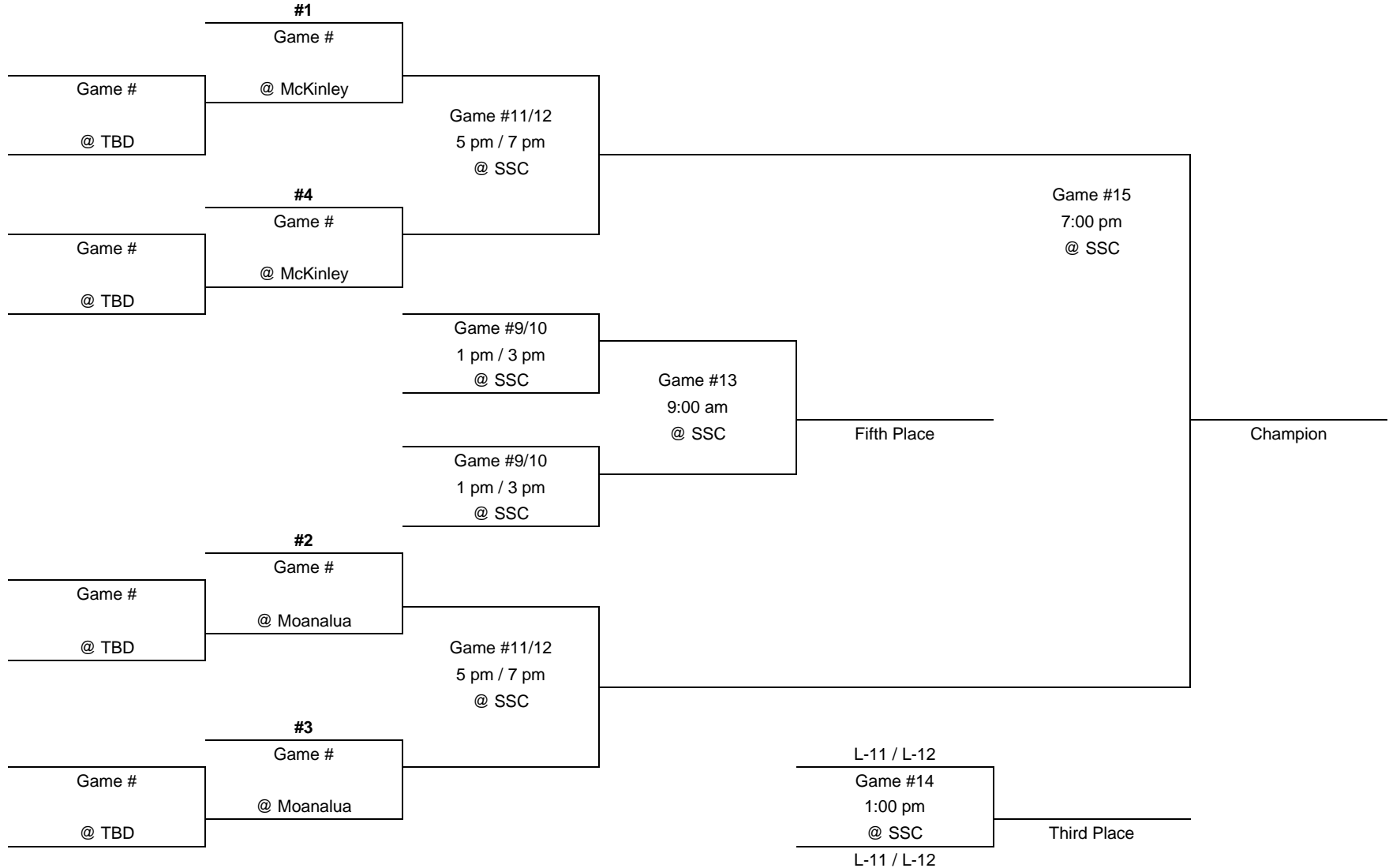
SNAPPLE
BOYS BASKETBALL STATE CHAMPIONSHIPS
DIVISION I BRACKET
MONDAY-SATURDAY, FEBRUARY 17-21, 2020

Monday
Feb. 17

Wednesday
Feb. 19

Thursday
Feb. 20

Friday
Feb. 21



L-11 / L-12

Game #14

1:00 pm

@ SSC

L-11 / L-12

Third Place

Fifth Place

Champion



SNAPPLE
BOYS BASKETBALL STATE CHAMPIONSHIPS
DIVISION II BRACKET
WEDNESDAY-FRIDAY, FEBRUARY 19-21, 2020

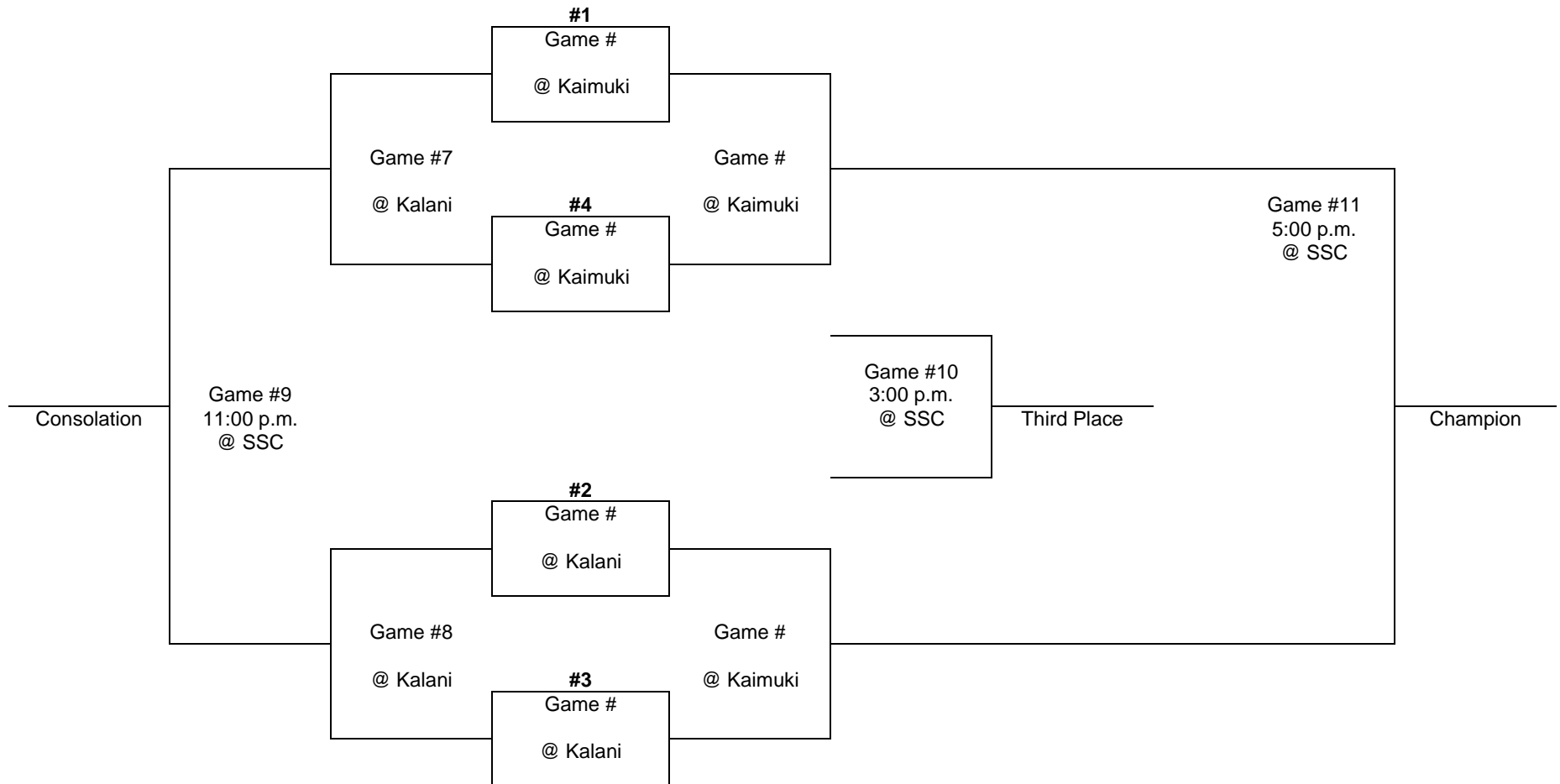
Friday
Feb. 21

Thursday
Feb. 20

Wednesday
Feb. 19

Thursday
Feb. 20

Friday
Feb. 21



BASKETBALL

I. SPECIFIC OBJECTIVES

- A. To determine the state champion for basketball through tournament competition.
- B. To recognize the combined efforts of all the participating teams and schools in the tournament.
- C. To promote and encourage the highest principles of citizenship and positive behavior in tournament competition.
- D. To promote the highest principles of good citizenship in tournament competitions.

II. OFFICIALS

A. Qualifications and Requirements

- 1. Evidence of having passed the National Federation Basketball Officials' tests.
- 2. Recommended and approved by their respective leagues.
- 3. Game officials shall wear the standard black and white vertically striped uniform shirt and worn inside the trousers.
- 4. All state tournament officials/umpires shall wear uniforms in accordance with their sport's NFHS rules/guidelines/recommendations. In the absence of any NFHS rules/guidelines/recommendations, the sport's HHSAA Sport Coordinator shall have the final say as to the appropriateness of a state tournament official's/umpire's uniform.
- 5. The HHSAA Executive Director, Sport Coordinator and Selection Committee shall review the names recommended by the leagues and make the appropriate selections as needed for the State Tournament format.

B. Selection and Assignment

- 1. The selection of game officials shall be made by the Sport Coordinator and Officials Selection Committee. Alternates shall be appointed for each game. The Sport Coordinator shall serve as the chairperson of the Selection Committee.
- 2. Game officials and coaches are requested to meet with the Sport Coordinator prior to the tournament for a briefing regarding the Tournament format.
- 3. Leagues may request that an official be selected for the tournament. However, if selected, leagues shall be responsible for the official's expenses to the tournament.

C. Officials Compensation

- 1. Officials shall be compensated based on HHSAA rates.

III. ELIGIBILITY (SEE HHSAA HANDBOOK)

IV. RULES GOVERNING TOURNAMENT

- A. National Federation Basketball Rules shall prevail, with HHSAA modification as needed.
- B. "Pain Killing" injections that are used for the purpose of participation shall not be administered to student-athletes at the game or sites during HHSAA tournament events.

- C. Any student-athlete or coach disqualified before, during or after a state tournament game/match/event for unsportsmanlike conduct, flagrant verbal misconduct, or flagrant physical misconduct shall be disqualified from his/her next scheduled state tournament game/match/event for that sport. The student-athlete or coach has the right to appeal any such disqualification to an appeals committee for the particular sport. Should a student-athlete or coach be disqualified from the final state tournament game/match/event for that sport, said disqualification shall NOT carry over to the following school year's state tournament for that sport. Instead, the student-athletes or coaches league shall determine any appropriate penalty or sanction. (Rev. 06/2013)

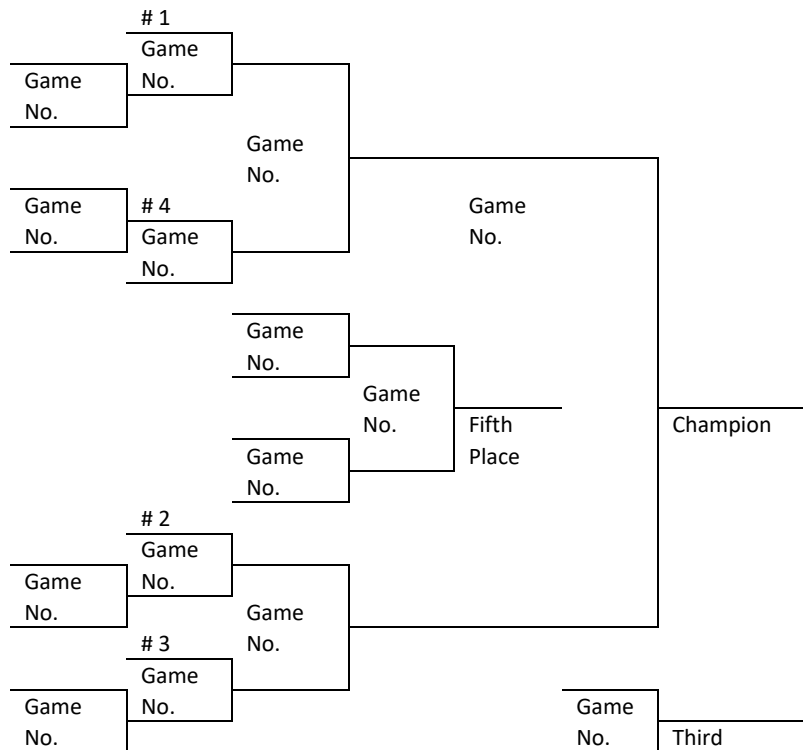
V. TOURNAMENT REPRESENTATION

- A. Number of Participating Teams in League _____ X Number of Teams in State Tournament
Number of Participating Teams in State
- B. Pac-Five teams are eligible to participate in the following HHSAA state tournaments: baseball, canoe paddling, cheerleading, football, soccer, softball, and girls water polo.
- C. For team-only state tournaments, a combination team shall be counted in the league representation formula as long as one of the schools in the combination team has a minimum number of players, as follows:

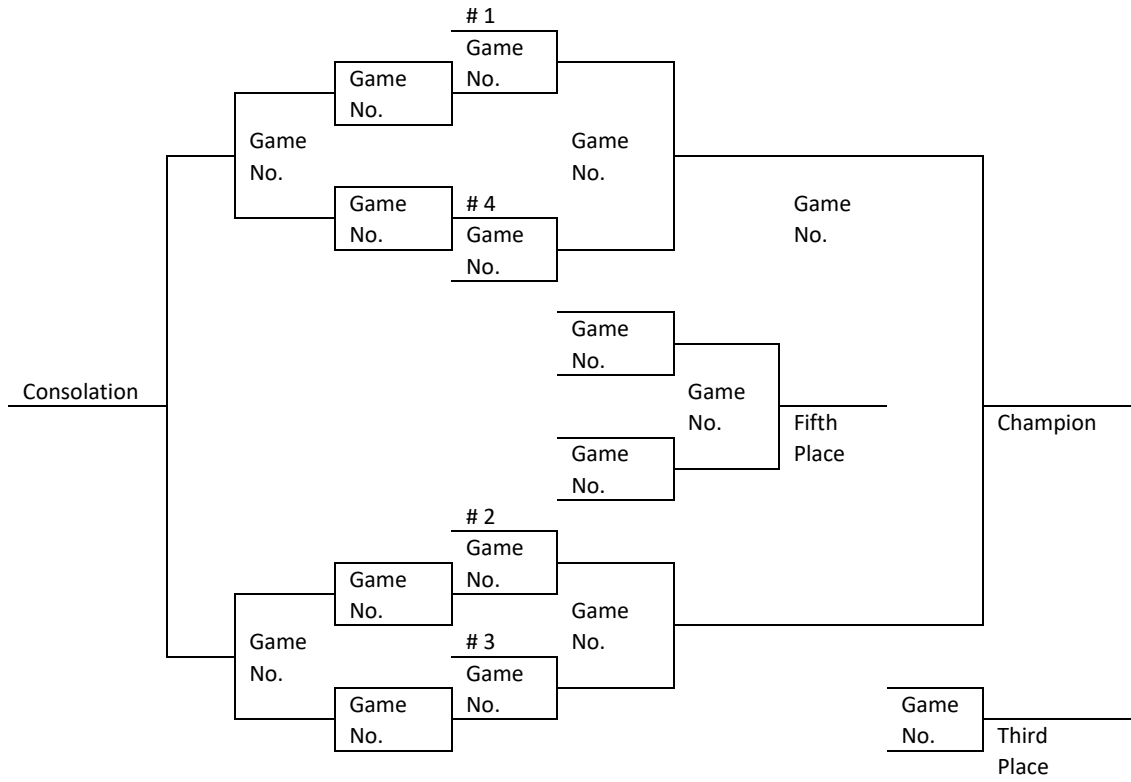
Volleyball – 6, Football – 11, Softball – 9, Soccer – 11, Basketball – 5, Baseball – 9, Canoe Paddling – 6, Water Polo – 7
- D. For team-only state tournaments, if a combination team qualifies for a state tournament, only players from one of the schools with the above-listed minimum number shall be allowed to participate in the state tournament.

VI. TOURNAMENT FORMAT

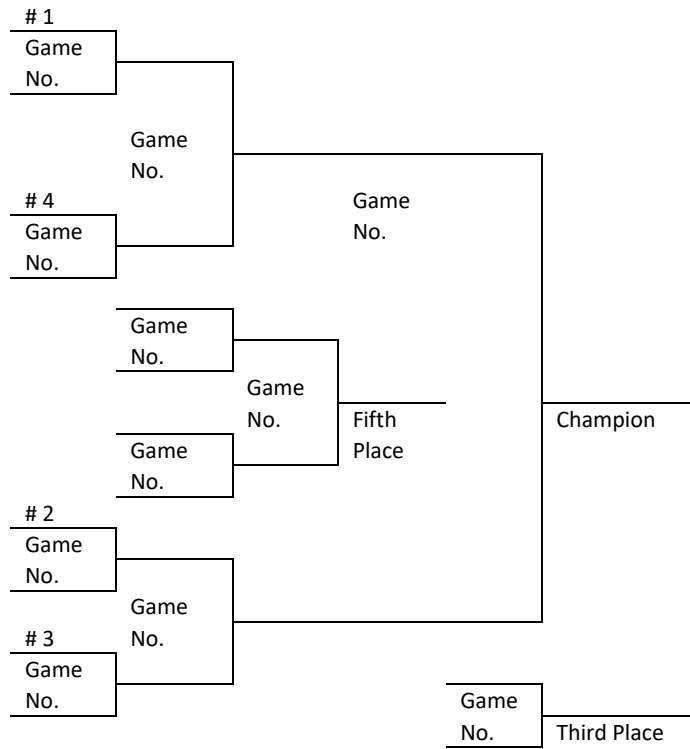
A. BOYS AND GIRLS DIVISION I



B. GIRLS DIVISION II



C. BOYS DIVISION II



VII. SIZE OF TEAM IN TOURNAMENT

Schools may bring an unlimited number and players accompanied by authorized coaches. Names of coaches and players must be listed on the official tournament roster.

VIII. SEEDING/PAIRING
(Rev. 6/2012)

- A. Seeding/Pairings shall be done by the Tournament Seeding/Pairing Committee.
 - 1. HHSAA Executive Director, Chairperson
 - 2. Sport Coordinators
 - 3. Tournament Director
 - 4. Others as selected by the Sport Coordinator
- B. Seed the league champions.
- C. Place the league's 2nd representative in the opposite half bracket based on league champion's seed. EXAMPLE: The state's top seeded league will place their 2nd representative in the same quarter bracket as the state's 3rd seed.)
- D. Place the league's 3rd representative in the opposite quarter bracket of the league's 2nd representative.
- E. Place the league's 4th representative in the same half bracket opposite quarter bracket from league champion.
- F. Place the league's 5th representative in the same quarter bracket as the league champion. If the bracket is full, place the 5th representative in the last remaining open slot.
- G. Place the league's 6th representative in the only remaining slot.

IX. TOURNAMENT REGULATIONS

- A. Player Bench Occupants
 - 1. During a contest, the player-bench may be occupied by eligible substitutes, coaches, faculty representative, bona fide team managers, team statisticians, scorekeeper and team trainer or physician.
 - 2. Only one team scorekeeper may sit on the tournament officials' table at any one time.
- B. Identifying Apparel for Scorekeeper and Timer

It is recommended that the official scorekeeper and official timer wear identifying apparel and that their location be clearly determined.
- C. Admission for Players, Cheerleaders and Press Representatives
 - 1. All players and coaches participating in the tournament may be admitted to the tournament games. Rather than furnishing tickets, a checklist will be used for admittance. All players and their coaches shall enter the through the Pass Gate. Players must be accompanied by their coaches for admittance.
 - 2. Cheerleaders in uniform and whose names have been submitted on the Cheerleaders Roster may be admitted to the games in which their teams are participating. All cheerleaders and their coaches shall enter through the Pass Gate. Cheerleaders must be accompanied by their coaches for admittance.
 - 3. An area for press representatives may be provided, but it must be away from the officials' table.
- D. Use of Floor between Half-time of Tournament Games

The tournament site manager(s) shall be responsible to see that basket shooting shall not be permitted between halves of tournament games, except for the few minutes required by each team to warm-up prior to the start of the second half.

- E. The cutting of the net is permitted if it is made as part of the closing ceremony.
- F. When both genders and divisions are hosted on Oahu have the same schedule format and facility use days at the Stan Sheriff and/or Neal S. Blaisdell Center when available. *(Adopted 6/2016)*

X. TOURNAMENT BALL

The tournament ball shall be the Baden Perfection Elite.

XI. UNIFORMS

- A. Whenever the name of a school appears above the name of its opponent in the bracket pairing, that team shall wear light uniforms. Whenever the name of a team appears below its opponent's in the bracket, that team shall wear dark uniforms.
- B. Beginning with the 2001-02 school year, each team participating in the football, soccer, and basketball state tournaments, shall bring to the state tournament both light and dark sets of uniforms. If a team violates this rule, they shall be subject to a penalty to be determined by the particular sport's HHSAA Sports Coordinator.

XII. AWARDS AND TROPHIES

- A. Permanent trophies to Championship and Runner-up teams.
- B. 16 gold medals for Championship team.
- C. 16 silver medals for Runner-up team.
- D. Game ball to Championship team. If two balls are available, the runner-up team shall receive the second ball.
- E. Additional medals may be requested at school's own expense.

XIII. EVALUATION

An evaluation report and tournament results shall be submitted by the Sport Coordinator to the HHSAA Executive Director within two weeks after the tournament.

XIV. ADMISSION

High School Sites

Adults	\$9.00
Senior Citizens (62 and over)	\$5.00
Students (Grades K-12)	\$5.00

Stan Sheriff Center or Blaisdell Arena (+ \$.50 service fee)

Adults	\$9.00
Senior Citizens (62 and over)	\$5.00
Students (Grades K-12)	\$5.00



Hawaii High School Athletic Association

- P.O. Box 62029 • HONOLULU, HAWAII 96839 •
- PHONE: (808) 800-4092
- www.sportshigh.com - info@hhsaa.org •

**2020 SNAPPLE / HHSAA BOYS BASKETBALL
SOUVENIR T-SHIRT & TOURNAMENT PROGRAM PRE-ORDER FORM**

_____ School requests to order the following sizes of the souvenir Drifit T-shirts at \$20.00 per shirt.

Size	Quantity	Price	Total
Small		\$20.00	
Medium		\$20.00	
Large		\$20.00	
X-Large		\$20.00	
XX-Large		\$20.00	
		GRAND TOTAL	



Email preorders to your respective host (see below) school. Checks payable to HHSAA may be brought to the tournament site of teams first game. **Note: preorders must be paid in full by first day of the tournament or shirts will be released to the general public.**

DIVISION I & DIVISION 2:

Russell Aoki - HHSAA
E-mail: aoki@hhsaa.org

Contact person: _____
Daytime phone: _____
Email Address: _____

**HHSAA "AA" BOYS BASKETBALL STATE CHAMPIONS & SEMIFINALISTS
(8-TEAM FORMAT)**

YEAR	CHAMPION	LEAGUE	HEAD COACH	SCORE	RUNNER-UP	THIRD PLACE	FOURTH PLACE
1957	St. Louis	ILH	Walter Wong	65-55	Hilo	Kaimuki/Lahainaluna	
1958	St. Joseph	BIIF	Walter Victor	53-51 (OT)	St. Louis	Hilo	Punahou
1959	Farrington	ILH	Robert Ikehara	48-37	Kamehameha	Hilo	St. Anthony
1960	Farrington	ILH	Robert Ikehara	44-32	St. Louis	Laupahoehoe	Baldwin
1961	St. Louis	ILH	Walter Wong	54-44	Punahou	St. Anthony	Hilo
1962	Kamehameha	ILH	Jack Herbertson	59-58	Punahou	Hilo	Radford
1963	Kamehameha	ILH	Jack Herbertson	60-40	Punahou	Hilo	Waipahu
1964	Hilo	BIIF	Albert Manliguis	63-55	Punahou	Kamehameha	St. Anthony
1965	Kamehameha	ILH	Jack Herbertson	55-49	Kailua	St. Joseph	Hilo
1966	St. Louis	ILH	Walter Wong	69-49	Kamehameha	Hilo	Farrington
1967	St. Louis	ILH	Walter Wong	48-40	Hilo	Kahuku	Punahou
1968	St. Louis	ILH	Walter Wong	60-36	Punahou	Kahuku	Kailua
1969	Radford	OIA	James Alegre	66-51	Kamehameha	Punahou	Hilo
1970	Punahou	ILH	Bud Scott	56-44	Farrington	Hilo	Castle
1971	Radford	OIA	James Alegre	51-50	Kamehameha	Kaimuki	Punahou
1972	Kailua	OIA	Mervin Lopes	65-44	St. Louis	Radford	Punahou
1973	Leilehua	OIA	Richard Townsend	56-52	Hilo	Punahou	Radford
1974	Punahou	ILH	Bud Scott	73-56	Kailua	Radford	Farrington
1975	Punahou	ILH	Chris McLachlin	77-70	Kailua	Hilo	Kalani
1976	Kamehameha	ILH	Jeff Mast	46-39	Maryknoll	Kalaheo	Pearl City
1977	Radford	OIA	James Alegre	48-46	Punahou	St. Louis	Hilo
1978	University	ILH	Claude Hottendorf	65-63 (OT)	Punahou	Baldwin	Radford
1979	Punahou	ILH	Chris McLachlin	60-28	Moanalua	Baldwin	Kohala
1980	Punahou	ILH	Ray Buck	73-60	University	Waipahu	Hilo
1981	Punahou	ILH	Robin Durand	41-40	Maryknoll	Castle	Moanalua
1982	Kailua	OIA	Louis Santos	47-42	Maryknoll	University	Baldwin

(12-TEAM FORMAT)

1983	'Iolani	ILH	Glenn Young	62-46	Leilehua	Farrington	University
1984	Maryknoll	ILH	Tony Sellitto	55-44	Maui	Kalaheo	Kohala
1985	Kalaheo	OIA	Pete Smith	57-55	Radford	Maryknoll	Kamehameha
1986	St. Louis	ILH	Kaipo Spencer	37-31	Maryknoll	Kalaheo	Pearl City
1987	University	ILH	Robert Au	47-43	Punahou	Maryknoll	Hilo
1988	University	ILH	Darryl Gabriel	38-36	Maryknoll	Kamehameha	Molokai
1989	Radford	OIA	James Alegre	57-55	Kamehameha	Honokaa	'Iolani
1990	Punahou	ILH	Chris McLachlin	68-58	Maui	Baldwin	'Iolani
1991	Hilo	BIIF	Larry Manliguis	59-44	Kalaheo	Baldwin	Kamehameha
1992	Kamehameha	ILH	James Winchester	76-73 (3OT)	Hilo	Kaimuki	Kalaheo
1993	Kaimuki	OIA	Raymond Fujino	53-50	Aiea	Kalaheo	Baldwin
1994	'Iolani	ILH	Dr. Mark Mugiishi	53-52	Kamehameha	Kalaheo	Baldwin
1995	Kalaheo	OIA	Pete Smith	49-42	St. Louis	Waiakea	Hilo
1996	Moanalua	OIA	Eddie Maruyama	49-44	Kalaheo	St. Louis	'Iolani
1997	Moanalua	OIA	Eddie Maruyama	58-57	'Iolani	Kalaheo	Hilo
1998	'Iolani	ILH	Dr. Mark Mugiishi	62-59 (2OT)	Kalaheo	St. Louis	Maui
1999	Punahou	ILH	Alan Lum	51-47 (OT)	Kalaheo	St. Louis	Waiakea
2000	Hilo	BIIF	Larry Manliguis	68-55	St. Louis	Roosevelt	Baldwin
2001	Kalaheo	OIA	Pete Smith	68-60	'Iolani	Honokaa	St. Louis
2002	'Iolani	ILH	Dr. Mark Mugiishi	58-57	Kalaheo	Kaimuki	Mililani
2003	'Iolani	ILH	Dr. Mark Mugiishi	61-37	St. Louis	Maui	Kamehameha
2004	'Iolani	ILH	Dr. Mark Mugiishi	64-54	Kalaheo	Punahou	Mililani
2005	'Iolani	ILH	Dr. Mark Mugiishi	62-51	Kahuku	Baldwin	Campbell
2006	'Iolani	ILH	Dr. Mark Mugiishi	54-41	Kaimuki	Kamehameha	Kahuku

The boys "AA" basketball tournament was consolidated into Division I/II tournament format beginning in 2007.

HHSAA "A" BOYS BASKETBALL CHAMPIONS			
YEAR	CHAMPION	LEAGUE	HEAD COACH
1965	University	ILH	Nelson Yoshioka
1966	Laupahoehoe	BIIF	Don Ridgely
1970	Laupahoehoe	BIIF	Himeo Hayashida
1971	Kahuku	OIA	Norman Pule
1972	Nanakuli	OIA	Hugh Taufaaasau
1973	Kahuku	OIA	Norman Pule
1974	Kahuku	OIA	Harry Kahuanui
1975	Nanakuli	OIA	Hugh Taufaaasau
1976	Nanakuli	OIA	Hugh Taufaaasau
1977	St. Anthony	MIL	Paul Pladera
1978	Maryknoll	ILH	Tony Sellitto
1979	Maryknoll	ILH	Tony Sellitto
1980	Maryknoll	ILH	Tony Sellitto
1981	Waiialua	OIA	David Almadova
1982	Lahainaluna	MIL	Robert Mack

The boys "A" basketball tournament was consolidated into the "AA" 12-team format beginning in 1983.

DIVISION I (12-TEAM FORMAT)							
YEAR	CHAMPION	LEAGUE	HEAD COACH	SCORE	RUNNER-UP	THIRD PLACE	FOURTH PLACE
2007	Kaimuki	OIA	Kelly Grant	61-53	Punahou	Kalaheo	KS-Hawaii
2008	Punahou	ILH	Dan Hale	41-38	KS-Hawaii	Konawaena	-
2009	Kamehameha	ILH	Jesse Nakanishi	47-45	Kahuku	'Iolani	Kaimuki
2010	'Iolani	ILH	Dean Shimamoto	46-43	Kamehameha	Punahou	Kahuku
2011	Kamehameha	ILH	Jesse Nakanishi	64-53	'Iolani	Kahuku	Academy of the Pacific
2012	Punahou	ILH	Darren Matsuda	59-52	Kahuku	Baldwin	KS-Hawaii
2013	Kalaheo	OIA	Alika Smith	60-54 (OT)	Maryknoll	Punahou	Konawaena
2014	'Iolani	ILH	Dean Shimamoto	43-40	Farrington	Maryknoll	Campbell
2015	Kalaheo	OIA	Alika Smith	53-45	'Iolani	Campbell	Kahuku
2016	'Iolani	ILH	Dean Shimamoto	45-40	Punahou	Kahuku	Kaiser
2017	Kahuku	OIA	Brandyn Akana	70-55	Punahou	Lahainaluna	'Iolani
2018	Punahou	ILH	Darren Matsuda	64-37	Kahuku	Maryknoll	Moanalua
2019	Maryknoll	ILH	Kelly Grant	50-34	Punahou	Iolani	Kailua

DIVISION II (12-TEAM FORMAT)							
YEAR	CHAMPION	LEAGUE	HEAD COACH	SCORE	RUNNER-UP	THIRD PLACE	FOURTH PLACE
2007	McKinley	OIA	Bob Morikuni	55-28	Kohala	Farrington	Aiea
2008	Farrington	OIA	Allan Silva	70-68	Aiea	McKinley	Hawaii Baptist
2009	Kailua	OIA	Tim Harrison	53-36	Castle	Kohala	Molokai
(8-TEAM FORMAT)							
2010	Pahoa	BIIF	Eric Yoshimura	41-38	Kailua	Kapaa	Academy of the Pacific
2011	Farrington	OIA	Allan Silva	58-45	Pahoa	University	Island Pacific
2012	Kalaheo	OIA	Alika Smith	57-42	McKinley	Hawaii Prep	Seabury Hall
2013	Saint Francis	ILH	Solomon Batoon	39-34	Kailua	Hawaii Prep	Seabury Hall
2014	Hawaii Prep	BIIF	Dave Huntington, Fred Wawner	42-33	Kalani	Seabury Hall	Kohala
2015	Kaiser	OIA	Branden Kawazoe	49-45	Kalani	Kohala	Hawaii Baptist
2016	University	ILH	Walter Quitan	46-31	Seabury Hall	Saint Francis	Honokaa
2017	Saint Francis	ILH	Ron Durant	52-46	Kalani	Seabury Hall	Honokaa
2018	Saint Francis	ILH	Ron Durant	76-52	Damien	Kalani	Kauai
2019	Damien	ILH	Alvin Stephenson	73-50	Farrington	Hawaii Prep	Seabury Hall