



Motiv8 Foundation
GIRLS SOCCER STATE CHAMPIONSHIPS
January 27 - February 1, 2025
Waipio Peninsula Soccer Complex, Oahu

Motiv8 Foundation
GIRLS SOCCER STATE CHAMPIONSHIPS
January 27 – February 1, 2025
Waipio Peninsula Soccer Complex

HAWAII HIGH SCHOOL ATHLETIC ASSOCIATION

Executive Director Chris Chun
Associate Director Russell Aoki
Director of Information & Marketing Natalie Iwamoto
General Manager Luther Beck
Girls Soccer Coordinator Tita Ahuna, Tyler Terai
Officials & Rules Jan Allen and Jonathan Reyes

TOURNAMENT COMMITTEE

Host School Punahou School
Tournament Directors Tita Ahuna & Tyler Terai
Big Island Interscholastic Federation Lyle Crozier, Executive Director
..... Steve Perry, Coordinator
Interscholastic League of Honolulu Blane Gaison, Executive Director
..... Tita Ahuna, Coordinator
Kauai Interscholastic Federation Jason Yoshida, Executive Director
..... Greg Gonsalves, Coordinator
Maui Interscholastic League Joseph Balangitao, Executive Director
..... Mark Makimoto, Coordinators
Oahu Interscholastic Association Bryce Kaneshiro, Executive Directors
..... Darren Camello, Coordinator
Medical Personnel OIA and ILH athletic trainers
Statistics and results support Shaina Caporoz

SPECIAL THANKS

City & County of Honolulu Glenn Kajiwara, District Manager
..... Ramachandran Sudharshan, Park Manager

Motiv8 Foundation
GIRLS SOCCER STATE CHAMPIONSHIPS
January 27 - February 1, 2025
Waipio Peninsula Soccer Complex, Oahu

TOURNAMENT INFORMATION

I. HHSAA SOCCER REGULATIONS

See HHSAA Handbook attached.

II. TEAM ROSTERS AND PICTURES

Schools with teams that have secured or are in contention for a tournament berth are required to submit team rosters via e-mail to roster@hhsaa.org.

DEADLINE: MONDAY, JAN. 20, 2025, NOON

III. TOURNAMENT REPRESENTATION

Representation as of 1/06/2025. Visit hhsaa.org under the girls soccer page for current representation.

	GIRLS DIVISION I	GIRLS DIVISION II
OIA	6	4*
ILH	2	2
BIIF	2	2
MIL	2	1*
KIF	0	2
TOTAL	12	12

*tied for final berth

IV. PRE-TOURNAMENT MEETING

There will be NO pre-tournament meeting. Information will be sent to head coaches via e-mail prior to the tournament.

V. TOURNAMENT SCHEDULE

Division I

Monday, January 27, 2025

Match #1	TBD	@ OIA site TBD
Match #2	TBD	@ ILH site TBD
Match #3	TBD	@ Big Island site TBD
Match #4	TBD	@ Maui site TBD

Thursday, January 30, 2025

Match #5	3:00 p.m.	Quarterfinal (Field #5)
Match #6	3:00 p.m.	Quarterfinal (Field #6)
Match #7	3:00 p.m.	Quarterfinal (Field #7)
Match #8	3:00 p.m.	Quarterfinal (Field #8)

Friday, January 31, 2025

Match #9	3:00 p.m.	Consolation (Field #15)
Match #10	3:00 p.m.	Consolation (Field #16)
Match #11	5:00 p.m.	Semifinal (Main Stadium)
Match #12	7:00 p.m.	Semifinal (Main Stadium)

Saturday, February 1, 2025

Match #13	3:00 p.m.	5 th Place (Field #15)
Match #14	3:00 p.m.	3 rd Place (Field #16)
Match #15	7:00 p.m.	Championship (Main Stadium)

Division II

Wednesday, January 29, 2025

Match #1	3:00 p.m.	First Round (Field #5)
Match #2	3:00 p.m.	First Round (Field #6)
Match #3	3:00 p.m.	First Round (Field #7)
Match #4	3:00 p.m.	First Round (Field #8)

Thursday, January 30, 2025

Match #5	1:00 p.m.	Consolation (Field #15)
Match #6	1:00 p.m.	Consolation (Field #16)
Match #7	3:00 p.m.	Quarterfinal (Field #15)
Match #8	3:00 p.m.	Quarterfinal (Field #16)
Match #9	3:00 p.m.	Quarterfinal (Field #17)
Match #10	3:00 p.m.	Quarterfinal (Field #18)

Friday, January 31, 2025

Match #11	3:00 p.m.	Consolation (Field #17)
Match #12	3:00 p.m.	Consolation (Field #18)
Match #13	1:00 p.m.	Semifinal (Main Stadium)
Match #14	3:00 p.m.	Semifinal (Main Stadium)

Saturday, February 1, 2025

Match #15	3:00 p.m.	Consolation (Field #7)
Match #16	3:00 p.m.	5 th Place (Field #17)
Match #17	3:00 p.m.	3 rd Place (Field #18)
Match #18	5:00 p.m.	Championship (Waipio – Main Stadium)

VI. RECOMMENDATIONS FOR THE TOURNAMENT

Participating teams are responsible for clean-up of their own areas after each game.

VII. TOURNAMENT BALL

The tournament ball is the Baden Perfection Elite.

VIII. CODE OF CONDUCT

The coach shall have direct responsibility for conduct of team members prior to, during and after tournament competition (in the hotel, in public, at the tournament, transporting to and from sites).

The HHSAA Executive Director may establish a common curfew hour as necessary.

The drinking of alcoholic beverages, smoking, drug use, loud, unruly or destructive behavior will not be tolerated.

Coaches are requested to inform their athletes of hotel rules and regulations. Please emphasize the importance of appropriate conduct and behavior and consideration for other hotel guests. Schools and students will be charged for any damages incurred by them at the hotel.

It is recommended that schools inform parents regarding the code-of-conduct in writing.

IX. STATE TOURNAMENT DISQUALIFICATION RULE

Any student-athlete or coach disqualified before, during, or after a state tournament game/match/event for unsportsmanlike conduct, flagrant verbal misconduct, or flagrant physical misconduct shall be disqualified from his/her next scheduled state tournament game/match/event for that sport. The student-athlete or coach has the right to appeal any such disqualification to an appeals committee for the particular sport. Should a student-athlete or coach be disqualified from the final state tournament game/match/event for that sport, said disqualification shall NOT carry over to the following school year's state tournament for that sport. Instead, the student-athlete's or coach's league shall determine any appropriate penalty or sanction.

SOCCER

I. SPECIFIC OBJECTIVES

- A. To select the boys and girls state champions for soccer through tournament competition.
- B. To recognize the combined efforts of all the participating teams in the tournament.
- C. To encourage the highest principles and standards of general behavior.
- D. To promote the highest principles of citizenship in tournament games.

II. OFFICIALS

Qualifications

- A. Qualified officials shall be selected by the HHSAA Executive Director, Sport Coordinator and Tournament Director. Selection may be made from all leagues.
- B. All officials must have taken the current National Federation Soccer Examination prior to the season.
- C. Game Officials
 - 1. One referee, two linesmen and a fourth official shall be assigned to each game.
 - 2. Officials shall be assigned to each game by the Sport Coordinator and Officials Coordinator or their designated representative(s).
 - 3. Officials shall be paid in accordance with HHSAA rates.
- D. Uniform
 - 1. All state tournament officials/umpires shall wear uniforms in accordance with their sport's NFHS rules/guidelines/recommendations. In the absence of any NFHS rules/guidelines/recommendations, the sport's HHSAA Sport Coordinator shall have the final say as to the appropriateness of a state tournament official's/umpire's uniform.

III. ELIGIBILITY

See Part II, Administrative Regulations, HHSAA Handbook.

IV. RULES GOVERNING THE TOURNAMENT

The National Federation of State High School Soccer Rules shall prevail except with the following HHSAA modifications:

- A. The games shall be played in two half-time periods.
- B. All non-championship games shall be played in two forty (40) minute halves.
- C. During all games on fields with a visible, operating scoreboard, the official time will be shown on the scoreboard down to the end of all periods of play (0:00) as detailed by NFHS Rule 6-2-2 (Rev 6/2019)
- D. Tie-Breaker Procedure for **Advancement**
 - 1. Disqualified players shall remain ineligible during the tie breaking overtime period(s).
 - 2. There shall be a one, 10-minute sudden victory overtime period.

- a. A coin toss shall be held as stated in the National Federation Rules Book, Rule 5-2-2d.
 - b. If a tie still exists, there shall be a second, 10-minute sudden victory overtime period. Teams shall change ends.
3. If the score remains tied after two sudden victory overtime periods, a penalty kick procedure will be conducted. The format follows the same procedure as the penalty kick of the National Federation Rules.
4. If the score remains tied, all coaches, officials and team captains shall assemble at the halfway line to review the procedure for the penalty kick. Teams will change goals only during the end of the first overtime period, if necessary.
- a. The head referee shall choose the goal at which kicks shall be taken.
 - b. Each coach will select any five players, including goalkeeper, on or off the field (except those who may have been disqualified) to take the kicks.
 - c. A coin toss shall be held. The team winning the toss shall have the choice of kicking first or second.
 - d. Teams shall alternate kickers. There shall be no follow-up on the kick.
 - e. The defending team may change the goalkeeper prior to each penalty kick.
 - f. Following five kicks for each team, the team scoring on the greatest number of these kicks shall be declared the winner.
 - g. If the score remains tied after each team has five kicks, each coach will select five different players than the first five who already have kicked to take the kicks in a sudden-victory situation, wherein if one team scores and the other team does not score, the game is ended without more kicks being taken.
 - h. If the score remains tied, teams shall continue the sudden-victory kicks with the coach selecting any five players to take the next set of alternating kicks. If a tie still remains, repeat 4g.
- D. Tie-Breaker Procedure for Non-Championship Games
- 1. If the score remains tied after two, 40-minute periods, a penalty kick procedure will be conducted. The format follows the same procedure as the penalty kick of the National Federation Rules.
 - 2. Disqualified players shall remain ineligible during the tie breaking overtime period(s).
- E. Tie Games
- If a tie exists in the 3rd, 5th or 7th place games, the games shall be considered as completed games and remain in a tie.
- F. The field of play may be larger than as stated in NFHS Rule 1, Section 1, but not to exceed the dimensions for senior league play.
- 1. HHSAA shall request to have the field marked 120 yards long by 65 yards wide.
- ~~G. The referee shall be responsible to keep the time for the game instead of having a separate timekeeper as in Rule 6, Section 2, Article 1. (Rev 6/2019)~~
- H. Whenever possible, security should be provided.
- I. Any student-athlete or coach disqualified before, during or after a state tournament game/match/event for unsportsmanlike conduct, flagrant verbal misconduct, or flagrant physical misconduct shall be disqualified from his/her next scheduled state tournament game/match/event for that sport. The student-athlete or coach has the

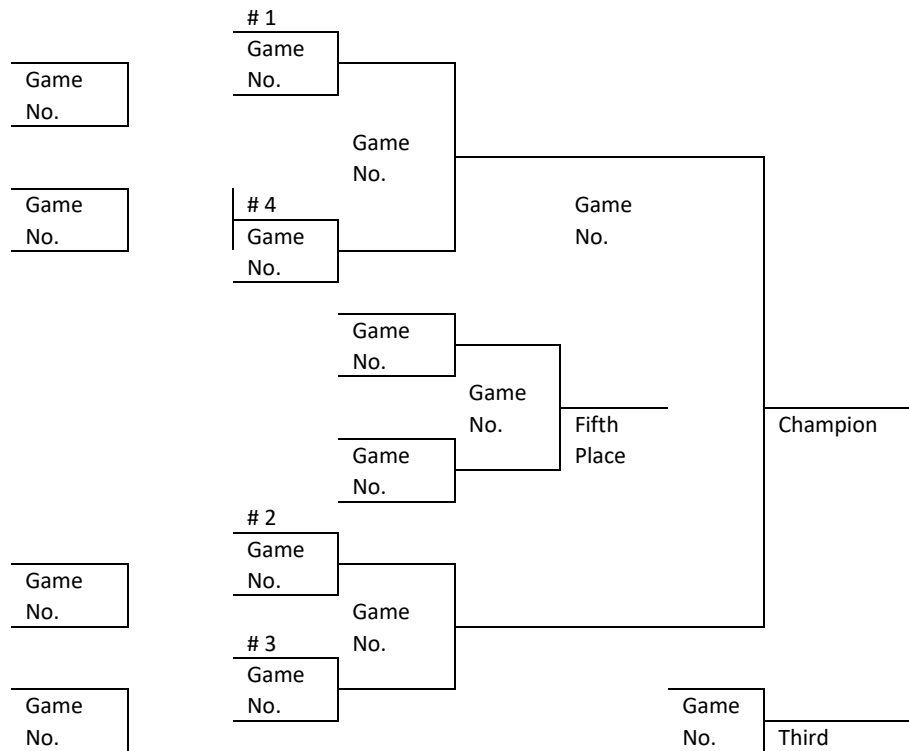
right to appeal any such disqualification to an appeals committee for the particular sport. Should a student-athlete or coach be disqualified from the final state tournament game/match/event for that sport, said disqualification shall NOT carry over to the following school year's state tournament for that sport. Instead, the student-athletes or coaches league shall determine any appropriate penalty or sanction. (Rev. 06/2013)

V. TOURNAMENT REPRESENTATION

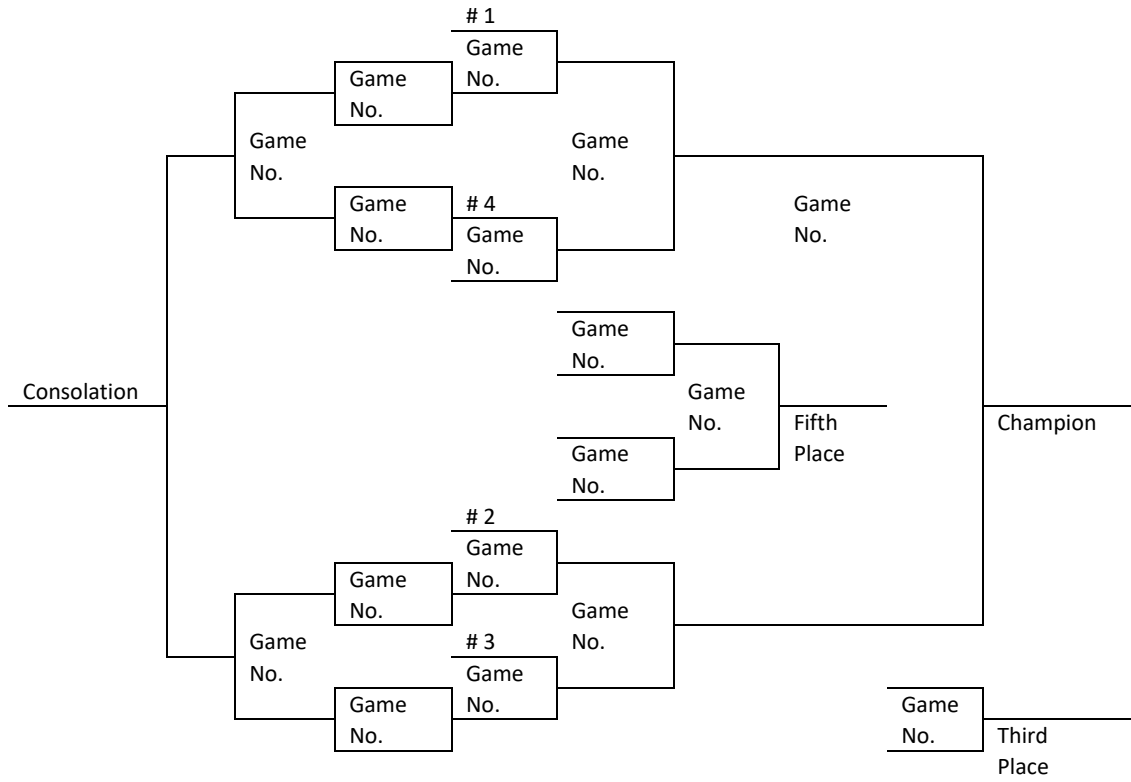
- A.
$$\frac{\text{Number of Participating Teams in League}}{\text{Number of Participating Teams in State}} \times \text{Number of Teams in State Tournament}$$
- B. Pac-Five teams are eligible to participate in the following HHSAA state tournaments: baseball, canoe paddling, cheerleading, football, soccer, softball, and girls water polo.
- C. For team-only state tournaments, a combination team shall be counted in the league representation formula as long as one of the schools in the combination team has a minimum number of players, as follows:
 Volleyball – 6, Football – 11, Softball – 9, Soccer – 11, Basketball – 5,
 Baseball – 9, Canoe Paddling – 6, Water Polo – 7
- D. For team-only state tournaments, if a combination team qualifies for a state tournament, only players from one of the schools with the above-listed minimum number shall be allowed to participate in the state tournament.

VI. TOURNAMENT FORMAT

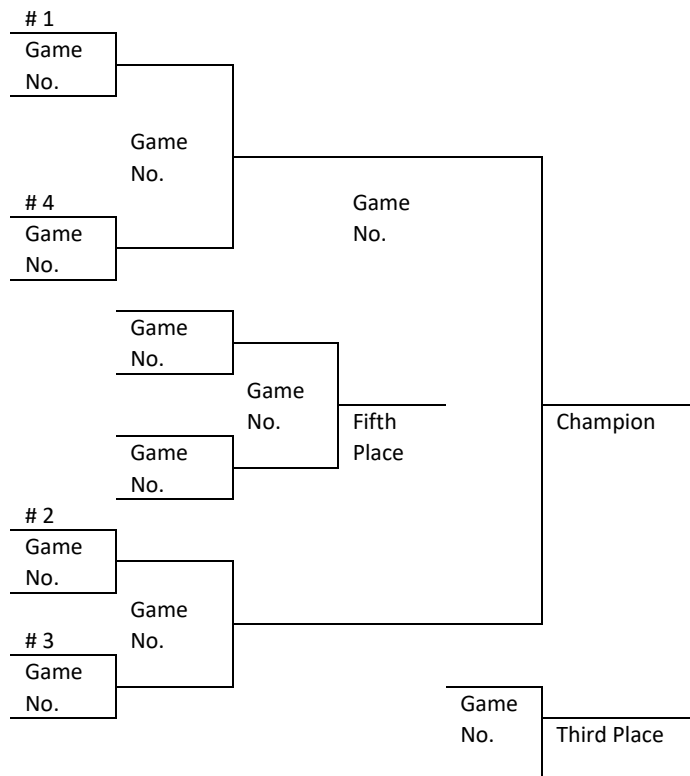
- A. All playing sites shall be recommended by the Tournament Committee and approved by the HHSAA Executive Director.
- B. BOYS AND GIRLS DIVISION I



C. GIRLS DIVISION II



D. BOYS DIVISION II



E. Tournament Ball

The official tournament ball shall be the Baden Perfection.

VII. SIZE OF TEAMS

Schools may bring an unlimited number of players accompanied by authorized coaches. Names of coaches and players must be listed on the official tournament roster.

VIII. SEEDING/PAIRING (Rev. 6/2012)

- A. League champions shall be determined no later than 4 days prior to the start of the Tournament. (E.G. if the Tournament begins on a Monday, league champions must be completed by the Wednesday prior). This only applies to the following tournaments: Division I boys and girls basketball, Division I boys and girls soccer, Division I boys and girls volleyball, and girls water polo. (Rev 6/2023)
- B. If a league champion is not determined by this date, that league will lose their ability to host the first round of the Tournament AND shall be responsible for all non-refundable expenses for the traveling team's first round match.
 1. A league may apply to the HHSAA Board for an exemption to this deadline due to extenuating circumstances. (Rev 6/2023)
- C. Seeding/Pairings shall be done by the Tournament Seeding/Pairing Committee.
 1. HHSAA Executive Director, Chairperson
 2. Sport Coordinators
 3. Tournament Director
 4. Others as selected by the Sport Coordinator
- D. Seed the league champions.
- E. Place the league's 2nd representative in the opposite half bracket based on league champion's seed. EXAMPLE: The state's top seeded league will place their 2nd representative in the same quarter bracket as the state's 3rd seed.)
- F. Place the league's 3rd representative in the opposite quarter bracket of the league's 2nd representative.
- G. Place the league's 4th representative in the same half bracket opposite quarter bracket from league champion.
- H. Place the league's 5th representative in the same quarter bracket as the league champion. If the bracket is full, place the 5th representative in the last remaining open slot.
- I. Place the league's 6th representative in the only remaining slot.

IX. UNIFORMS

- A. The required player equipment includes a jersey, shorts, socks, suitable shoes and shinguards. The shinguards shall provide adequate and reasonable protection, be professionally manufactured, contain the NOCSAE seal, age- and size appropriate, not altered to decrease protection, worn under the socks, and worn with the bottom edge no higher than 2 inches above the ankle.
- B. The **home team shall wear dark jerseys and dark socks** (dark is defined as any color which contrasts with white), and the **visiting team shall wear solid white jerseys and solid white socks**. Both socks shall be the same color. If tape or a similar material is applied externally to the socks, it must be of similar color as that part of the sock to which it is applied. (Color change REVISION: 2018/2019 NFHS Rules Book)

- C. If visible apparel is worn under the white jersey and/or short, it shall be solid white matching the predominant color of the uniform. Visible apparel worn under the dark jersey and/or short, it shall be a solid color matching the predominant color of the respective garment or black.
- D. Beginning with the 2001-02 school year, each team participating in the football, soccer, and basketball state tournaments, shall bring to the state tournament both light and dark sets of uniforms. If a team violates this rule, they shall be subject to a penalty to be determined by the particular sport's HHSAA Sports Coordinator.

X. AWARDS

- A. Team trophy for the championship team.
- B. Team trophy for the runner-up team.
- C. 20 gold medals for the championship team.
- D. 20 silver medals for the runner-up team.
- E. Schools may order additional medals at their own expense.

XI. TOURNAMENT EVALUATION

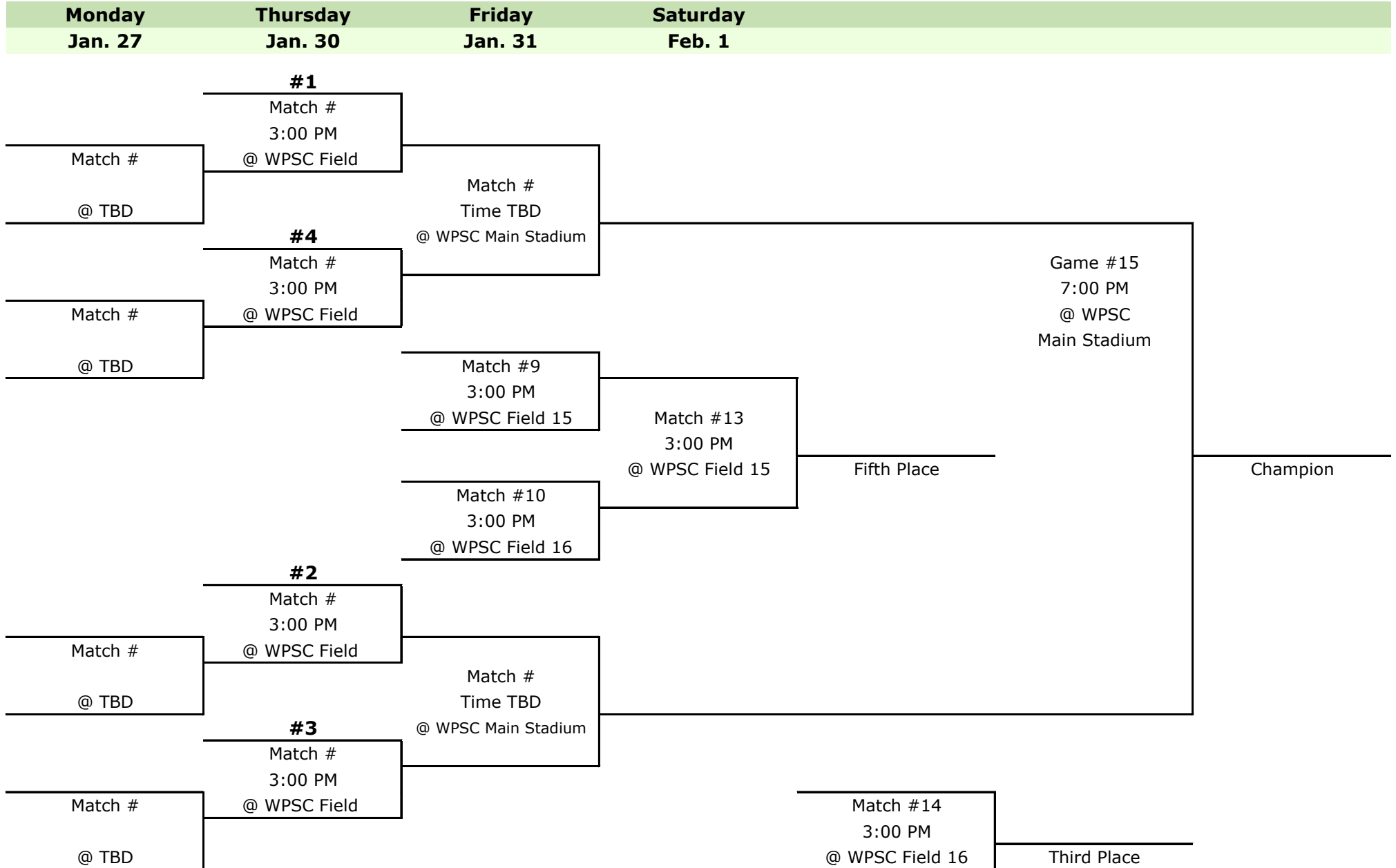
An evaluation report and results of the tournament are to be submitted to the HHSAA Executive Director within two weeks after the tournament.

XII. ADMISSION

General Admission	\$9.00*
*plus applicable service fees	



Motiv8 Foundation
Division I Bracket | Girls Soccer State Championships
 Hawaii High School Athletic Association
Monday, January 27 - Saturday, February 1, 2025





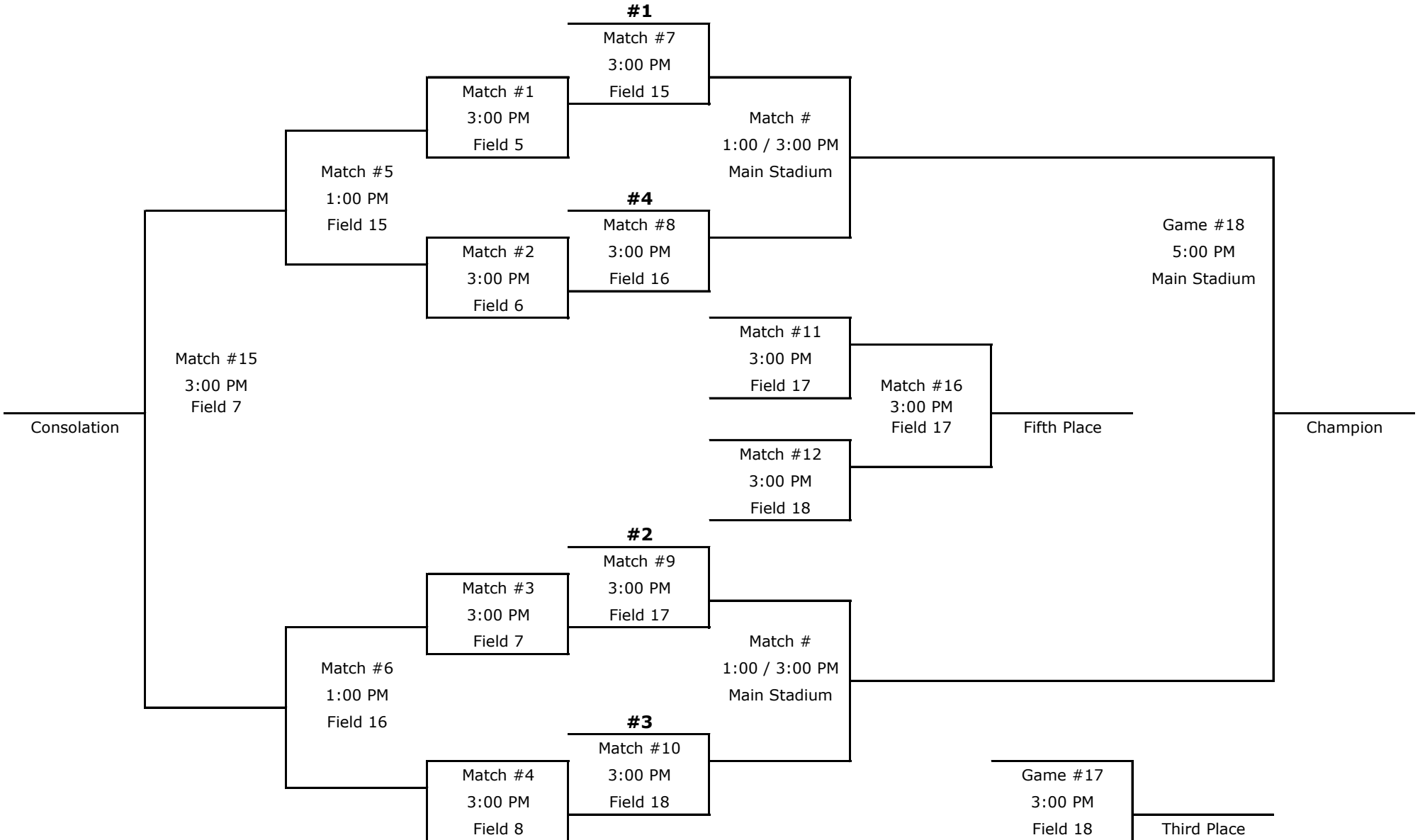
Motiv8 Foundation

Division II Bracket | Girls Soccer State Championships

Hawaii High School Athletic Association

Wednesday, January 29 - Saturday February 1, 2025

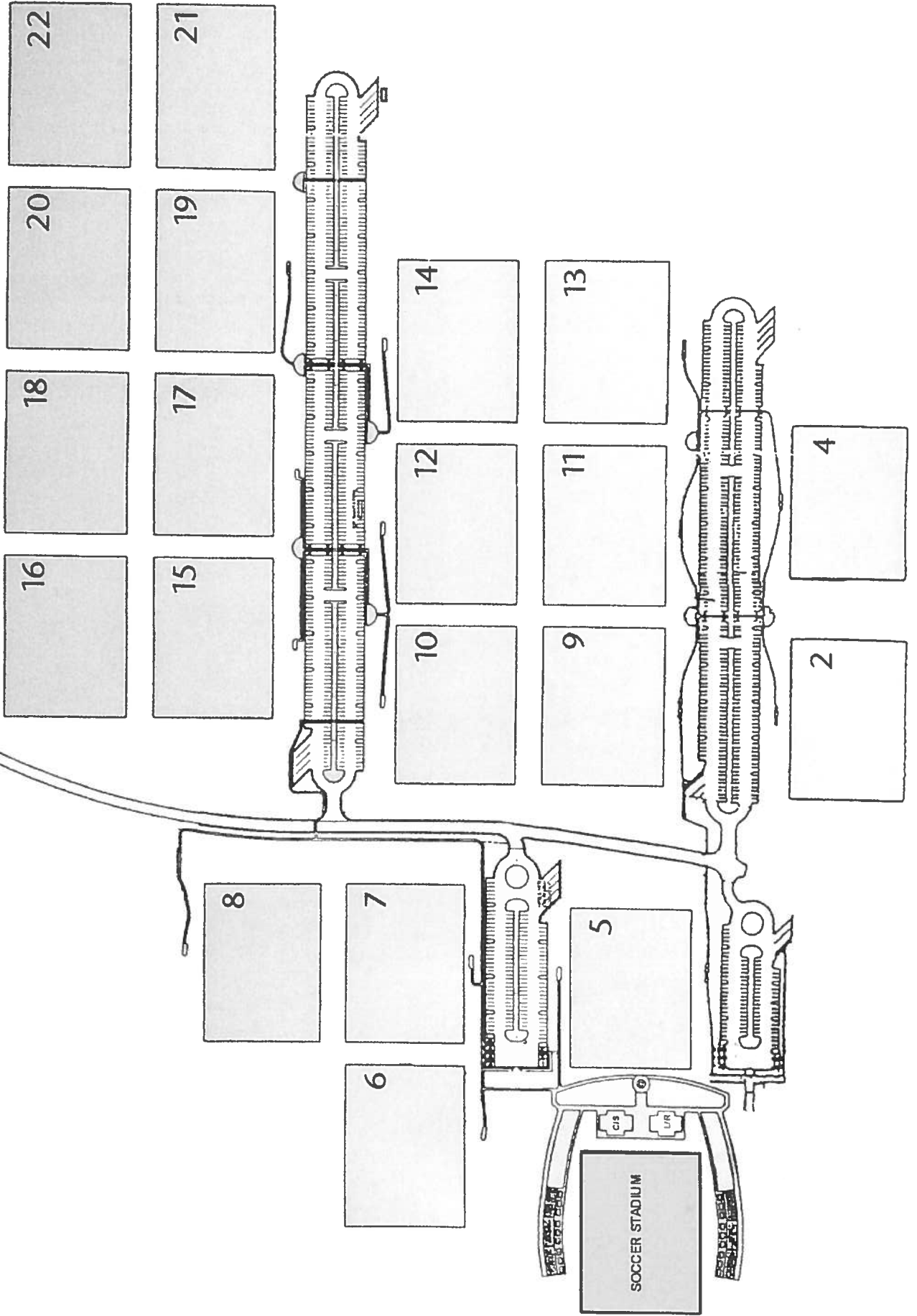
Friday Feb. 1	Thursday Jan. 30	Wednesday Jan. 29	Thursday Jan. 30	Friday Jan. 31	Saturday Feb. 1
------------------	---------------------	----------------------	---------------------	-------------------	--------------------



WAIPIO PENINSULA SOCCER PARK

TO WAIPIO POINT ACCESS ROAD

ADDITIONAL PARKING





Hawaii High School Athletic Association

- P.O. Box 11419 • HONOLULU, HAWAII 96828 •
- PHONE: (808) 800-4092
- www.hhsaa.org - info@hhsaa.org •

**2025 Motiv8 Foundation / HHSAA GIRLS SOCCER
SOUVENIR T-SHIRT PRE-ORDER FORM**

_____ School requests to order the following sizes of the souvenir Drifit T-shirts at \$20.00 per shirt.

Size	Quantity	Price	Total
Small		\$20.00	
Medium		\$20.00	
Large		\$20.00	
X-Large		\$20.00	
XX-Large		\$20.00	
		GRAND TOTAL	



E-mail preorders to HHSAA (information below). Checks payable to HHSAA may be brought to the tournament site of teams' first game. **Note: preorders must be paid in full by first day of the tournament or shirts will be released to the general public.**

DIVISION I & DIVISION 2:

Russell Aoki, HHSAA
E-mail: aoki@hhsaa.org

Contact person: _____

Daytime phone: _____

Email Address: _____