



HAWAIIAN AIRLINES
BOYS BASKETBALL STATE CHAMPIONSHIPS
FEBRUARY 20-23, 2008

DIVISION I: MCKINLEY & RADFORD HIGH SCHOOLS (20-21)

DIVISION II: PEARL CITY & MOANALUA HIGH SCHOOLS (20-22)

&

DIVISION I & II: NEAL BLAISDELL ARENA (22-23)

**HAWAIIAN AIRLINES BOYS BASKETBALL STATE CHAMPIONSHIPS
FEBRUARY 20-23, 2008
McKinley H.S., Radford H.S., Pearl City H.S., Moanalua H.S.
& Neal Blaisdell Arena**

HAWAII HIGH SCHOOL ATHLETIC ASSOCIATION

Executive Director Keith Amemiya
Director of Information..... Natalie Webb
Administrative Assistant..... Coreen Muraoka
Boys Basketball Coordinator.....Hugh Taufaaasau

TOURNAMENT COMMITTEE

Host Schools.....Mid-Pacific Institute & Pac-Five
Tournament Director..... Bill Villa & Peter Estomago
ILH Executive Director Don Botelho
Awards Ceremony..... Hawaiian Airlines
Tournament Statistics Wilmar Alvarado, Derek Inouchi, Neal Iwamoto,
.....Coreen Muraoka, Lili Ann Sora, Natalie Webb & Kristen Yoshimoto
Publicity..... Natalie Webb
Officials & Game Assignments..... HHSAA Committee
Official ScorersNahaku Brown, Jace Lum Hoy, Gail Juan, Clint Schultz, King Wong & Joann Yokogawa
Rules..... Alex Kane, Pat Tanibe, Sam Delos Reyes, Hugh Taufaaasau, Louie Fuentes & Todd Apo
Pairings..... Alex Kane, Hugh Taufaaasau, Mel Imai, Bill Villa, Peter Estomago & Keith Amemiya
Medical Personnel..... OIA & ILH Athletic Trainers
AnnouncersKeenan Goo & Ben Kiaaina
Committee RoomMid-Pacific Institute & Pac-Five

SPECIAL THANKS

Hawaiian Airlines Alison Ohama & Debbie Nakanelua
McKinley High School Peter Chun, Principal
..... Neal Takamori, Athletic Director
Radford High School..... Robert Stevens, Principal
..... Kelly Sur, Athletic Director
Pearl City High SchoolCarlyn Fujimoto, Principal
.....Reid Shigemasa, Athletic Director
Moanalua High School Darrel Galera, Principal
.....Joel Kawachi, Athletic Director
Neal Blaisdell Center.....Sidney Quintal, John Fuhrmann & Mary Lewis
City & County of Honolulu..... Mufi Hannemann, Mayor

**HAWAIIAN AIRLINES BOYS BASKETBALL STATE CHAMPIONSHIPS
FEBRUARY 20-23, 2008
McKinley H.S. / Radford H.S. / Pearl City H.S. / Moanalua H.S. / Neal Blaisdell Arena**

TOURNAMENT INFORMATION

I. HHSAA BOYS BASKETBALL REGULATIONS

HHSAA Boys Basketball Regulations may be found in the HHSAA Handbook, under the Sports Tournament tab or on www.sportshigh.com, by clicking on “Boys Basketball” then “Regulations.”

II. ROSTERS, TEAM PICTURES & PHOTO CAPTION

DEADLINE: TUESDAY, FEBRUARY 12, 2008

The official roster entry form is available on the HHSAA website at www.sportshigh.com. Should you have any questions, please contact Natalie Webb at (808) 587-4495 or by email at webb@hhsaa.org.

IMPORTANT: Failure to submit the official team roster (using official roster form), team photo and photo caption may result in the blank page on your school’s designated page in the state tournament program.

A. Roster

Schools with teams that have secured or are in contention for a tournament berth are required to submit team rosters via e-mail to the HHSAA Director of Information, Natalie Webb (webb@hhsaa.org).

B. Team Picture and Photo Caption

Team pictures submitted on disk or via e-mail (faith@tradepublishing.com) are required to be at 300 dpi or greater. Otherwise, a hard copy of the team picture is required and must be mailed or hand delivered to:

Faith Freitas
Trade Publishing Co.
287 Mokauea Street
Honolulu, HI 96819
Tel: 848-0711

III. TOURNAMENT REPRESENTATION

	Division I	Division II
OIA	5	3*
ILH	2*	3*
BIIF	2*	2
MIL	2	2
KIF	0	1
TOTAL	12	12

* ILH #3 and BIIF #3 will playoff for the final berth in the Division I tournament.

* OIA #4 and ILH #4 will playoff for the final berth in the Division II tournament.

IV. TOURNAMENT OFFICIALS' AND HEAD COACHES' MEETING

All *head coaches* and *tournament officials* are **required** to meet with the HHSAA executive director and boys basketball coordinator for tournament instructions on **Wednesday, February 20, 2008, 10:00 a.m., McKinley High School cafeteria (across from the gymnasium).**

V. TOURNAMENT SCHEDULE

Division I:

Wednesday, February 20, 2008 (McKinley H.S./Radford H.S.)

Game #1	6:00 p.m.	First round game (McKinley H.S.)
Game #2	8:00 p.m.	First round game (McKinley H.S.)
Game #3	6:00 p.m.	First round game (Radford H.S.)
Game #4	8:00 p.m.	First round game (Radford H.S.)

Thursday, February 21, 2008 (McKinley H.S./Radford H.S.)

Game #5	4:00 p.m.	Consolation game (McKinley H.S.)
Game #6	6:00 p.m.	Quarterfinal game (McKinley H.S.)
Game #7	8:00 p.m.	Quarterfinal game (McKinley H.S.)
Game #8	4:00 p.m.	Consolation game (Radford H.S.)
Game #9	6:00 p.m.	Quarterfinal game (Radford H.S.)
Game #10	8:00 p.m.	Quarterfinal game (Radford H.S.)

Friday, February 22, 2008 (all games at Blaisdell Arena)

Game #11	12:00 p.m.	Consolation game (Winners of Games 5 & 8)
Game #12	2:00 p.m.	Consolation game (Losers of Games 6 & 7)
Game #13	4:00 p.m.	Consolation game (Losers of Games 9 & 10)
Game #14	6:00 p.m.	Semifinal game
Game #15	8:00 p.m.	Semifinal game

Saturday, February 23, 2008 (all games at Blaisdell Arena)

Game #16	2:15 p.m.	5 th Place Game (Winners of Games 12 & 13)
Game #17	4:00 p.m.	3 rd Place Game (Losers of Games 14 & 15)
Game #18	8:00 p.m.	Championship Game (Winners of Games 14 & 15)

The official time allotted between games (in the championship bracket) is 15 minutes. No game shall start before the established starting time.

Division II:

Wednesday, February 20, 2008 (Moanalua H.S./Pearl City H.S.)

Game #1	6:00 p.m.	First round game (Moanalua H.S.)
Game #2	8:00 p.m.	First round game (Moanalua H.S.)
Game #3	6:00 p.m.	First round game (Pearl City H.S.)
Game #4	8:00 p.m.	First round game (Pearl City H.S.)

Thursday, February 21, 2008 (Moanalua H.S./Pearl City H.S.)

Game #5	4:00 p.m.	Consolation game (Moanalua H.S.)
Game #6	6:00 p.m.	Quarterfinal game (Moanalua H.S.)
Game #7	8:00 p.m.	Quarterfinal game (Moanalua H.S.)
Game #8	4:00 p.m.	Consolation game (Pearl City H.S.)
Game #9	6:00 p.m.	Quarterfinal game (Pearl City H.S.)
Game #10	8:00 p.m.	Quarterfinal game (Pearl City H.S.)

Friday, February 22, 2008 (Moanalua H.S./Pearl City H.S.)

Game #11	4:00 p.m.	Consolation game (Moanalua H.S.)
Game #12	6:00 p.m.	Consolation game (Moanalua H.S.)
Game #13	8:00 p.m.	Semifinal game (Moanalua H.S.)
Game #14	6:00 p.m.	Consolation game (Pearl City H.S.)
Game #15	8:00 p.m.	Semifinal game (Pearl City H.S.)

Saturday February 23, 2008 (all games at Blaisdell Arena)

Game #16	10:45 a.m.	5 th Place Game (Winners of Games 12 & 14)
Game #17	12:30 p.m.	3 rd Place Game (Losers of Games 13 & 15)
Game #18	6:00 p.m.	Championship Game (Winners of Games 13 & 15)

The official time allotted between games (in the championship bracket) is 15 minutes. No game shall start before the established starting time.

VI. TOURNAMENT BALL

The official tournament ball is the Spalding Top Flite-1000 TK Pro.

VII. UNIFORMS

Whenever the name of the school appears above the name of its opponent in the bracket pairing, that team shall wear light uniforms. Whenever the name of a team appears below its opponent in the bracket pairing, that team shall wear dark uniforms.

VIII. TOURNAMENT REGULATIONS

Player Bench Occupants:

During a contest, the player-bench may be occupied by eligible substitutes, coaches, faculty representative, bona fide team managers, team statisticians, scorekeeper and team trainer or physician.

Only one team scorekeeper may sit on the tournament official's table at any one time.

Locker Room:

Coaches are requested to inform their athletes of the importance of appropriate conduct and behavior in the locker room. Schools and students will be charged for any damages incurred by them in the locker room.

Use of Floor between Halftime of Tournament Games:

The tournament site manager(s) shall be responsible to see that basket shooting shall not be permitted between halves of tournament games, except for the few minutes required by each team to warm-up prior to the start of the second half.

Cheerleading advisors should check with the Tournament Director for use of the floor during halftime and between games.

IX. PRACTICE SESSIONS PRIOR TO TOURNAMENT GAMES

There will be no practice time allotted to any team in the state tournament at any of the state tournament venues.

X. CODE OF CONDUCT

The Coach shall have direct responsibility for conduct of team members prior to, during and after tournament competition (in the hotel, in public, at the tournament, transporting to and from sites).

The HHSAA Executive Director may establish a common curfew hour as necessary.

The drinking of alcoholic beverages, smoking, drug use, loud, unruly or destructive behavior will not be tolerated.

Coaches are requested to inform their athletes of hotel rules and regulations. Please emphasize the importance of appropriate conduct and behavior and consideration for other hotel guests. Schools and students will be charged for any damages incurred by them at the hotel.

It is recommended that schools inform parents regarding the code-of-conduct in writing.

XI. STATE TOURNAMENT DISQUALIFICATION RULE

Any student-athlete or coach disqualified before, during, or after a state tournament game/match/event for unsportsmanlike conduct, flagrant verbal misconduct, or flagrant physical misconduct shall be disqualified from his/her next scheduled state tournament game/match/event for that sport. The student-athlete or coach has the right to appeal any such disqualification to an appeals committee for the particular sport. Should a student-athlete or coach be disqualified from the final state tournament game/match/event for that sport, said disqualification shall NOT carry over to the following school year's state tournament for that sport. Instead, the student-athlete's or coach's league shall determine any appropriate penalty or sanction.



HAWAIIAN AIRLINES BOYS BASKETBALL STATE CHAMPIONSHIPS
WEDNESDAY-SATURDAY, FEBRUARY 20-23, 2008
DIVISION I BRACKET
 Presented by the Hawaii High School Athletic Association

Friday,
Feb. 22

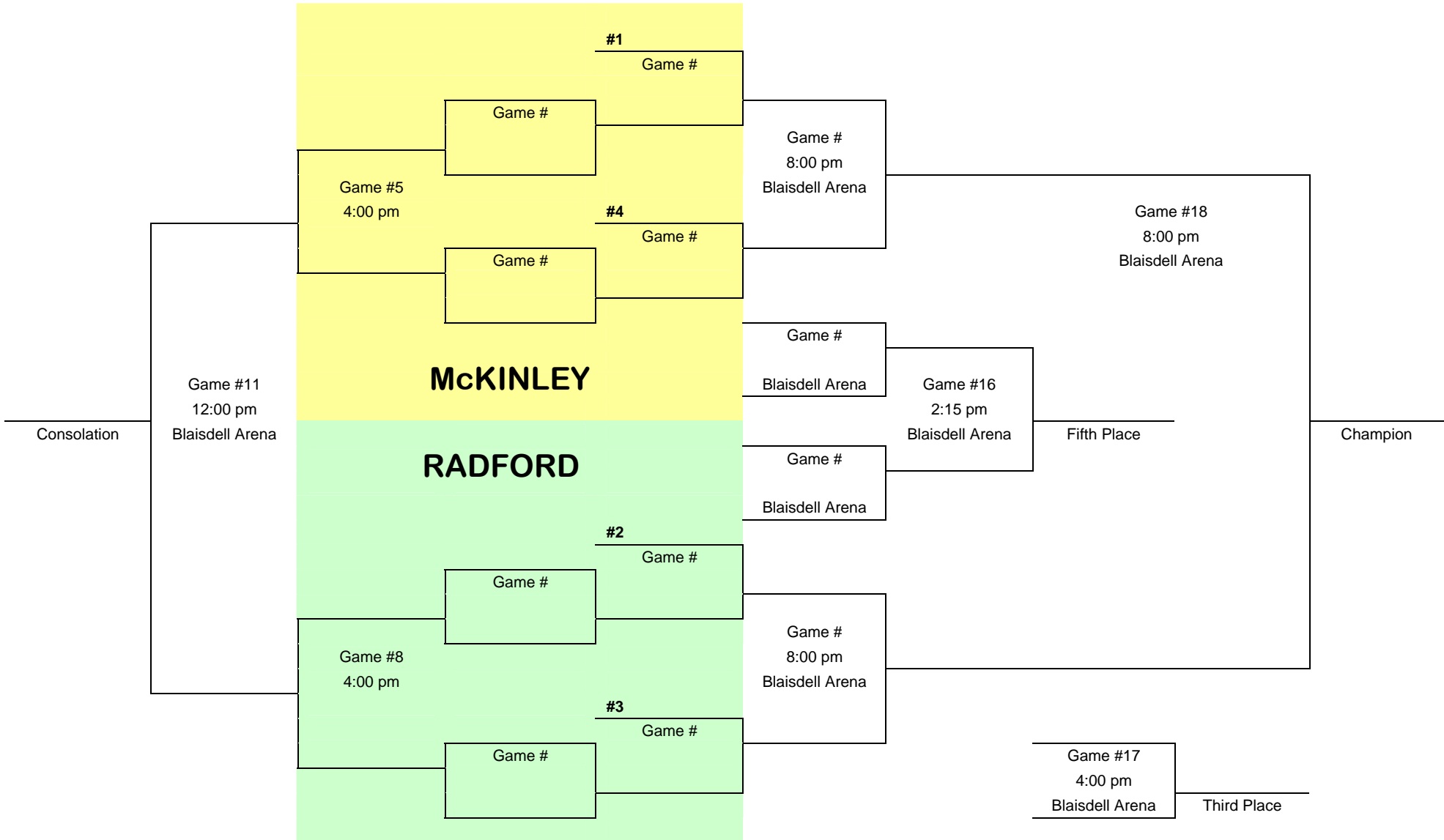
Thursday,
Feb. 21

Wednesday,
Feb. 20

Thursday,
Feb. 21

Friday,
Feb. 22

Saturday,
Feb. 23





HAWAIIAN AIRLINES BOYS BASKETBALL STATE CHAMPIONSHIPS
TUESDAY-FRIDAY, FEBRUARY 20-23, 2008
DIVISION II BRACKET
 Presented by the Hawaii High School Athletic Association

Friday,
Feb. 22

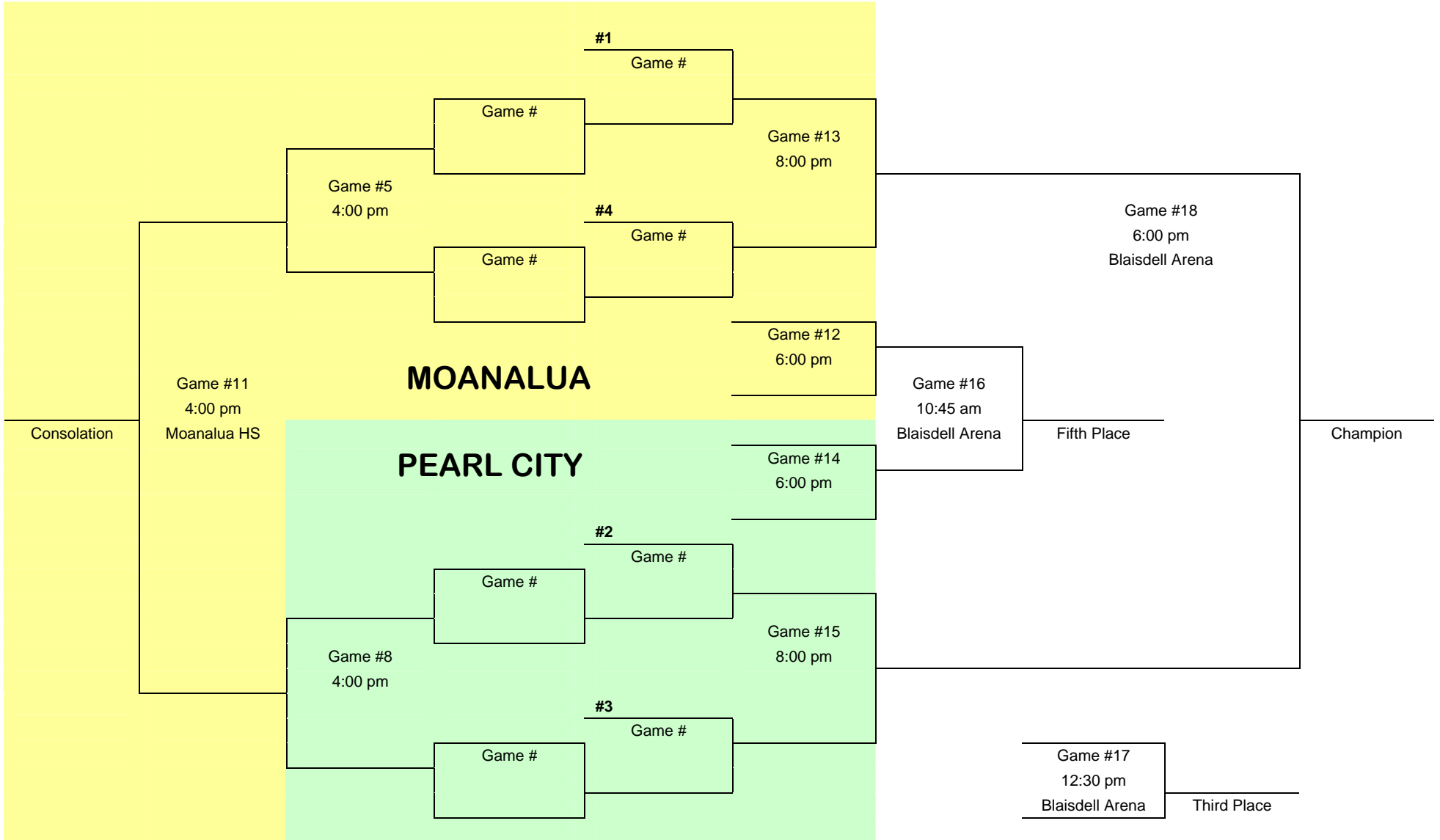
Thursday,
Feb. 21

Wednesday,
Feb. 20

Thursday,
Feb. 21

Friday,
Feb. 22

Saturday,
Feb. 23



BASKETBALL TOURNAMENT

I. Specific Objectives

- A. To determine the state champion for basketball through tournament competition.
- B. To recognize the combined efforts of all the participating teams and schools in the tournament.
- C. To promote and encourage the highest principles of citizenship and positive behavior in tournament competition.
- D. To promote the highest principles of good citizenship in tournament competitions.

I. Officials

A. Qualifications and Requirements

1. Evidence of having passed the National Federation Basketball Officials' tests.
2. Recommended and approved by their respective leagues.
3. Game officials shall wear the standard black and white vertically striped uniform shirt and worn inside the trousers.
4. All state tournament officials/umpires shall wear uniforms in accordance with their sport's NFHS rules/guidelines/recommendations. In the absence of any NFHS rules/guidelines/recommendations, the sport's HHSAA Sport Coordinator shall have the final say as to the appropriateness of a state tournament official's/umpire's uniform.
5. The HHSAA Executive Director, Sport Coordinator and Selection Committee shall review the names recommended by the leagues and make the appropriate selections as needed for the State Tournament format.

B. Selection and Assignment

1. The selection of game officials shall be made by the Sport Coordinator and Officials Selection Committee. Alternates shall be appointed for each game. The Sport Coordinator shall serve as the chairperson of the Selection Committee.
2. Game officials and coaches are requested to meet with the Sport Coordinator prior to the tournament for a briefing regarding the Tournament format.
3. Leagues may request that an official be selected for the tournament. However, if selected, leagues shall be responsible for the official's expenses to the tournament.

C. Officials Compensation

1. Officials shall be compensated based on HHSAA rates.
2. HHSAA Rates: Game Official (\$40); Alternate (\$20)

III. Eligibility (See HHSAA Handbook)

IV. Rules Governing Tournament

- A. National Federation Basketball Rules shall prevail, with HHSAA modification as needed.

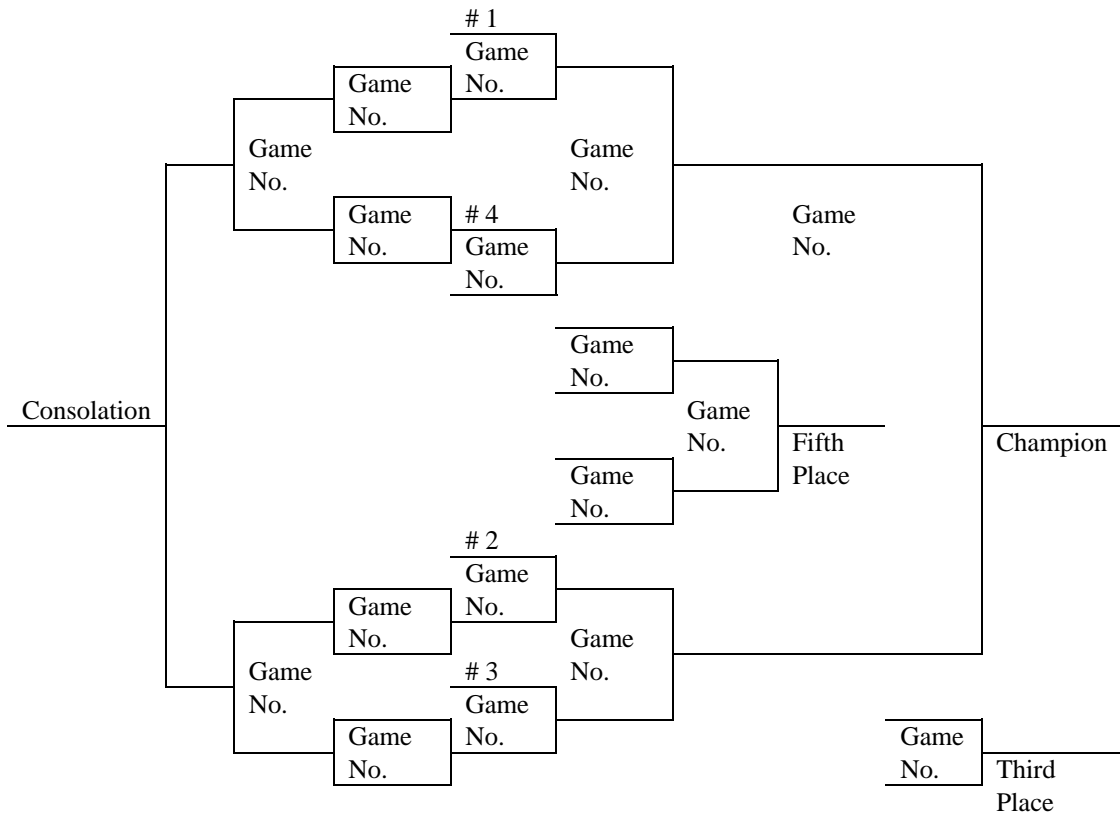
- B. "Pain Killing" injections that are used for the purpose of participation shall not be administered to student-athletes at the game or sites during HHSAA tournament events.

V. Tournament Representation

- A. Number of Participating Teams in League ----- X Number of Teams in State Tournament
Number of Participating Teams in State
- B. Pac-Five teams are eligible to participate in the following HHSAA state tournaments: football, boys soccer, girls soccer, canoe paddling, girls water polo, baseball, and softball. Also, the MIL's Pac-Three football team is eligible to participate in the HHSAA state football tournament.
- C. For team-only state tournaments, a combination team shall be counted in the league representation formula as long as one of the schools in the combination team has a minimum number of players, as follows:

Volleyball – 6, Football – 11, Softball – 9, Soccer – 11, Basketball – 5, Baseball – 9, Canoe Paddling – 6, Water Polo – 7
- D. For team-only state tournaments, if a combination team qualifies for a state tournament, only players from one of the schools with the above-listed minimum number shall be allowed to participate in the state tournament.

VI. Tournament Format



VII. Size of Team in Tournament

Schools may bring an unlimited number and players accompanied by authorized coaches. Names of coaches and players must be listed on the official tournament roster.

VIII. Seeding/Pairing

- A. Seeding/Pairings shall be done by the Tournament Seeding/Pairing Committee and provided to the Radio, TV and News media.

Seeding/Pairing Committee

1. HHSAA Executive Director, Chairperson
 2. Sport Coordinators
 3. Tournament Director
 4. Others as selected by the Sport Coordinator
- B. Byes shall be granted to four champions from the five leagues according to their demonstrated strength (and seeded one to four accordingly).
- C. The #2 and #3 teams of a league (where applicable) shall be placed in the opposite bracket from the league's seeded champion.
- D. The #4 and #5 teams of a league (where applicable) shall be placed in the same bracket as the seeded league champion.
- E. Pairings shall be made so that teams from the same league do not meet in the first round. The only exception shall be when a league with five or more representatives has the unseeded champion.
- F. The unseeded league champion (where applicable) shall be paired whenever possible with a #3, #4, #5, or a #6 place team from another league.
- G. Whenever possible, the top-seeded and second-seeded league champions shall play the winner of the first round game involving the lowest-finishing league qualifier (e.g., OIA #5) in their half of the tournament bracket.
- H. The tournament seeding/pairings committee shall have the authority to modify any of the above guidelines if necessary.

IX. Tournament Regulations

A. Player Bench Occupants

1. During a contest, the player-bench may be occupied by eligible substitutes, coaches, faculty representative, bona fide team managers, team statisticians, scorekeeper and team trainer or physician.
2. Only one team scorekeeper may sit on the tournament officials' table at any one time.

B. Identifying Apparel for Scorekeeper and Timer

It is recommended that the official scorekeeper and official timer wear identifying apparel and that their location be clearly determined.

C. Admission for Players, Cheerleaders and Press Representatives

1. All players and coaches participating in the tournament may be admitted to the tournament games. Rather than furnishing tickets, a checklist will be used for admittance. All players and their coaches shall enter the Blaisdell Arena through the Pass Gate. Players must be accompanied by their coaches for admittance.
2. Cheerleaders in uniform and whose names have been submitted on the Cheerleaders Roster may be admitted to the games in which their teams are participating. All

cheerleaders and their coaches shall enter the Blaisdell Arena through the Pass Gate. Cheerleaders must be accompanied by their coaches for admittance.

3. An area for press representatives may be provided, but it must be away from the officials' table.

D. Use of Floor between Half-time of Tournament Games

The tournament site manager(s) shall be responsible to see that basket shooting shall not be permitted between halves of tournament games, except for the few minutes required by each team to warm-up prior to the start of the second half.

- E. The cutting of the net is permitted if it is made as part of the closing ceremony.

X. Tournament Ball

The tournament ball shall be the Spalding Top Flite-1000 TK Pro basketball.

XI. Uniforms

- A. Whenever the name of a school appears above the name of its opponent in the bracket pairing, that team shall wear light uniforms. Whenever the name of a team appears below its opponent's in the bracket, that team shall wear dark uniforms.
- B. Beginning with the 2001-02 school year, each team participating in the football, soccer, and basketball state tournaments, shall bring to the state tournament both light and dark sets of uniforms. If a team violates this rule, they shall be subject to a penalty to be determined by the particular sport's HHSAA Sports Coordinator.

XII. Awards and Trophies

- A. Permanent trophies to Championship and Runner-up teams.
- B. 16 gold medals for Championship team.
- C. 16 silver medals for Runner-up team.
- D. Game ball to Championship team. If two balls are available, the runner-up team shall receive the second ball.
- E. Additional medals may be requested at school's own expense.

XIII. Evaluation

An evaluation report and tournament results shall be submitted by the Sport Coordinator to the HHSAA Executive Director within two weeks after the tournament.

XIV. Admission

High School Sites

Adults	\$7.00
Senior Citizens (62 and over)	\$5.00
Students (Grades K-12)	\$5.00

Blaisdell Arena

Adults	\$9.50
Senior Citizens (62 and over)	\$5.50
Students (Grades K-12)	\$5.50

**HAWAIIAN AIRLINES BASKETBALL STATE CHAMPIONSHIPS
SOUVENIR T-SHIRT ORDER FORM**



_____ School requests the following sizes of the 2008 Basketball State Championships souvenir t-shirts at \$15.00 per shirt and souvenir tournament programs at \$10.00 per program.

Size	Quantity	Price/T-shirt	Total
Small		\$15.00	
Medium		\$15.00	
Large		\$15.00	
X-Large		\$15.00	
XX-Large		\$15.00	
Boys & Girls Tournament Program (48 participating teams)		\$10.00	
		GRAND TOTAL	

Please make check payable to: Hawaii High School Athletic Association
Send pre-orders Mid-Pacific Institute (co-host) by Friday, Feb. 15, 2008. Checks payable to HHSAA may be sent with pre-orders or brought to the coaches' meeting/tournament.

Bill Villa, Athletic Director
Mid-Pacific Institute
2445 Kaala Street, Honolulu, HI 96822
Ph: (808) 973-5095 · Fax: (808) 973-5068

Note: Preorders must be paid in full by first day of the tournament or shirts will be released to the general public.

Contact person: _____
Phone: _____
School: _____
Check all that apply: <input type="checkbox"/> BOYS <input type="checkbox"/> GIRLS <input type="checkbox"/> DI <input type="checkbox"/> DII
Check one: <input type="checkbox"/> Check placed in mail <input type="checkbox"/> Will drop off at coaches meeting

HHSAA "AA" BASKETBALL CHAMPIONSHIP RECORDS – BOYS

<u>Year</u>	<u>Champion</u>	<u>League</u>	<u>Head Coach</u>	<u>Score</u>	<u>Runner-up</u>	<u>Third Place</u>	<u>Fourth Place</u>
1957	St. Louis	ILH	Walter Wong	65-55	Hilo	(Lahainaluna and Kaimuki)	
1958	St. Joseph	BIIF	Walter Victor	53-51 (OT)	St. Louis	Hilo	Punahou
1959	Farrington	ILH	Robert Ikehara	48-37	Kamehameha	Hilo	St. Anthony
1960	Farrington	ILH	Robert Ikehara	44-32	St. Louis	Laupahoehoe	Baldwin
1961	St. Louis	ILH	Walter Wong	54-44	Punahou	St. Anthony	Hilo
1962	Kamehameha	ILH	Jack Herbertson	59-58	Punahou	Hilo	Radford
1963	Kamehameha	ILH	Jack Herbertson	60-40	Punahou	Hilo	Waipahu
1964	Hilo	BIIF	Albert Manliguis	63-55	Punahou	Kamehameha	St. Anthony
1965	Kamehameha	ILH	Jack Herbertson	55-49	Kailua	St. Joseph	Hilo
1966	St. Louis	ILH	Walter Wong	69-49	Kamehameha	Hilo	Farrington
1967	St. Louis	ILH	Walter Wong	48-40	Hilo	Kahuku	Punahou
1968	St. Louis	ILH	Walter Wong	60-36	Punahou	Kahuku	Kailua
1969	Radford	OIA	James Alegre	66-51	Kamehameha	Punahou	Hilo
1970	Punahou	ILH	Bud Scott	56-44	Farrington	Hilo	Castle
1971	Radford	OIA	James Alegre	51-50	Kamehameha	Kaimuki	Punahou
1972	Kailua	OIA	Mervin Lopes	65-44	St. Louis	Radford	Punahou
1973	Leilehua	OIA	Richard Townsend	56-52	Hilo	Punahou	Radford
1974	Punahou	ILH	Bud Scott	73-56	Kailua	Radford	Farrington
1975	Punahou	ILH	Chris McLachlin	77-70	Kailua	Hilo	Kalani
1976	Kamehameha	ILH	Jeff Mast	46-39	Maryknoll	Kalaheo	Pearl City
1977	Radford	OIA	James Alegre	48-46	Punahou	St. Louis	Hilo
1978	University	ILH	Claude Hottendorf	65-63 (OT)	Punahou	Baldwin	Radford
1979	Punahou	ILH	Chris McLachlin	60-28	Moanalua	Baldwin	Kohala
1980	Punahou	ILH	Ray Buck	73-60	University	Waipahu	Hilo
1981	Punahou	ILH	Robin Durand	41-40	Maryknoll	Castle	Moanalua
1982	Kailua	OIA	Louis Santos	47-42	Maryknoll	University	Baldwin
1983	Iolani	ILH	Glenn Young	62-46	Leilehua	Farrington	University
1984	Maryknoll	ILH	Tony Sellitto	55-44	Maui	Kalaheo	Kohala
1985	Kalaheo	OIA	Pete Smith	57-55	Radford	Maryknoll	Kamehameha
1986	St. Louis	ILH	Kaipo Spencer	37-31	Maryknoll	Kalaheo	Pearl City
1987	University	ILH	Robert Au	47-43	Punahou	Maryknoll	Hilo
1988	University	ILH	Darryl Gabriel	38-36	Maryknoll	Kamehameha	Molokai
1989	Radford	OIA	James Alegre	57-55	Kamehameha	Honokaa	Iolani
1990	Punahou	ILH	Chris McLachlin	68-58	Maui	Baldwin	Iolani
1991	Hilo	BIIF	Larry Manliguis	59-44	Kalaheo	Baldwin	Kamehameha
1992	Kamehameha	ILH	James Winchester	76-73 (3OT)	Hilo	Kaimuki	Kalaheo
1993	Kaimuki	OIA	Raymond Fujino	53-50	Aiea	Kalaheo	Baldwin
1994	Iolani	ILH	Mark Mugiishi	53-52	Kamehameha	Kalaheo	Baldwin
1995	Kalaheo	OIA	Pete Smith	49-42	St. Louis	Waiakea	Hilo
1996	Moanalua	OIA	Eddie Maruyama	49-44	Kalaheo	St. Louis	Iolani
1997	Moanalua	OIA	Eddie Maruyama	58-57	Iolani	Kalaheo	Hilo
1998	Iolani	ILH	Mark Mugiishi	62-59 (2OT)	Kalaheo	St. Louis	Maui
1999	Punahou	ILH	Alan Lum	51-47 (OT)	Kalaheo	St. Louis	Waiakea
2000	Hilo	BIIF	Larry Manliguis	68-55	St. Louis	Roosevelt	Baldwin
2001	Kalaheo	OIA	Pete Smith	68-60	Iolani	Honokaa	St. Louis
2002	Iolani	ILH	Mark Mugiishi	58-57	Kalaheo	Kaimuki	Mililani
2003	Iolani	ILH	Mark Mugiishi	61-37	St. Louis	Maui	Kamehameha
2004	Iolani	ILH	Mark Mugiishi	64-54	Kalaheo	Punahou	Mililani
2005	Iolani	ILH	Mark Mugiishi	62-51	Kahuku	Baldwin	Campbell
2006	Iolani	ILH	Mark Mugiishi	54-41	Kaimuki	KS-Kapalama	Kahuku

DIVISION I

2007	Kaimuki	OIA	Kelly Grant	61-53	Punahou	Kalaheo	KS-Hawaii
------	---------	-----	-------------	-------	---------	---------	-----------

DIVISION II

2007	McKinley	OIA	Bob Morikuni	55-28	Kohala	Farrington	Aiea
------	----------	-----	--------------	-------	--------	------------	------

HHSAA "A" BASKETBALL CHAMPIONSHIP RECORDS- BOYS

<u>Year</u>	<u>Champion</u>	<u>League</u>	<u>Coach</u>
1965	University High	ILH	Nelson Yoshioka
1966	Laupahoehoe	BIF	Don Ridgely
1970	Laupahoehoe	BIF	Himeo Hayashida
1971	Kahuku	OIA	Norman Pule
1972	Nanakuli	OIA	Hugh Taufaasau
1973	Kahuku	OIA	Norman Pule
1974	Kahuku	OIA	Harry Kahuanui
1975	Nanakuli	OIA	Hugh Taufaasau
1976	Nanakuli	OIA	Hugh Taufaasau
1977	St. Anthony	MIL	Paul Pladera
1978	Maryknoll	ILH	Tony Sellitto
1979	Maryknoll	ILH	Tony Sellitto
1980	Maryknoll	ILH	Tony Sellitto
1981	Waialua	OIA	David Almadova
1982	Lahainaluna	MIL	Robert Mack

NOTE: The boys "A" basketball tournament was terminated and consolidated into the new 12-team format for boys basketball.