



**HAWAIIAN AIRLINES
BOYS BASKETBALL STATE
CHAMPIONSHIPS
FEBRUARY 22-25, 2012**

**DIVISION I: MCKINLEY & RADFORD HIGH SCHOOLS (22-
23);
NEAL BLAISDELL ARENA (24-25)**

**DIVISION II: FARRINGTON & KAIMUKI HIGH SCHOOLS (23-
24);
NEAL BLAISDELL ARENA (25)**

**HAWAIIAN AIRLINES BOYS BASKETBALL STATE CHAMPIONSHIPS
FEBRUARY 16-19, 2011
McKinley H.S., Farrington H.S., Kaimuki H.S., Kalani H.S., & Stan Sheriff Center**

HAWAII HIGH SCHOOL ATHLETIC ASSOCIATION

Executive Director..... Chris Chun
Office Manager Russell Aoki
Director of Information Natalie Iwamoto
Assistant Director of Information Wes Nakama
Boys Basketball Coordinator Hugh Taufaasau

TOURNAMENT COMMITTEE

Host Schools..... Campbell & Kailua High Schools
Tournament Directors Sam Delos Reyes & Ramona Takahashi
OIA Executive Director Raymond Fujino (interim)
Awards Ceremony..... Hawaiian Airlines
Publicity Natalie Iwamoto & Wes Nakama
Officials & Game Assignments..... HHSAA Committee
Official Scorers & Timekeepers..... Tara Aiu, Nahaku Brown, Sam Cropsy, Jace Lum Hoy,
..... Gail Juan, Steve Malin, Debbie Suyat, Wendi Viernes-Chong
Announcers..... Keenan Goo, Alan Miya, Wes Nakama
Tournament Statistics..... Wilmar Alvarado, Natalie Iwamoto, Stan Lee, Wes Nakama & Kyle Sakamoto
Rules..... Hugh Taufaasau, Sam Delos Reyes, Francis Aiu, Lloyd Hisaka, and Chris Chun
Pairings..... Hugh Taufaasau, Ryan Hogue, Peter Estomago, Chris Chun & League Coordinators
Medical Personnel OIA & ILH Athletic Trainers
Committee Room Kailua High School

SPECIAL THANKS

Hawaiian Airlines..... Alison Ohama & Debbie Nakanelua-Richards
Farrington High School..... Al Carganilla, Principal
..... Harold Tanaka, Athletic Director
Kaimuki High School..... Penelope Tom, Principal
..... Fred Lee, Athletic Director
McKinley High School..... Ron Okamura, Principal
..... Neal Takamori, Athletic Director
Radford High School..... Elias Ali, Principal
..... Kelly Sur, Athletic Director
Neal Blaisdell Center Sidney Quintal, John Fuhrmann & Mary Lewis

HAWAIIAN AIRLINES BOYS BASKETBALL STATE CHAMPIONSHIPS
FEBRUARY16-19, 2011
McKinley H.S. / Farrington H.S. / Kaimuki H.S. / Kalani H.S. / Stan Sheriff Center

TOURNAMENT INFORMATION

I. HHSAA BOYS BASKETBALL REGULATIONS

HHSAA Boys Basketball Regulations may be found in the HHSAA Handbook section found in this packet.

II. ROSTERS, TEAM PICTURES & PHOTO CAPTION

Schools with teams that have secured or are in contention for a tournament berth are required to submit team rosters, team photo and photo caption via e-mail to iwamoto@hhsaa.org and faith@tradepublishing.com. (All three items must be sent to both e-mail addresses)

The official roster form can be downloaded at www.sportshigh.com. Only official roster forms will be accepted and the roster **MUST** be e-mailed to the above e-mail addresses. Please be sure to save the rosters, photos and captions with your school name (do not abbreviate, i.e. KHS, MHS, WHS, etc.). Also, please put your school name and sport in the subject line of the e-mail.

Team pictures submitted on disk or via e-mail are required to be **300 dpi or greater**. Otherwise, a hard copy of the team picture is required and must be mailed or hand delivered to the below address. Photo captions identifying individuals (left to right and by row) must be e-mailed or delivered to Trade Publishing in a digital format (i.e. saved on a CD, flash drive).

Trade Publishing Co.
Attn: Faith Freitas (Ph: 848-0711)
287 Mokauea Street
Honolulu, HI 96819

DEADLINE: WEDNESDAY, FEB. 15, 2012, NOON

III. TOURNAMENT REPRESENTATION

	Division I	Division II
OIA	5	2
ILH	3	2
BIIF	2	2
MIL	2	1
KIF	0	1
TOTAL	12	8

IV. TOURNAMENT OFFICIALS' AND HEAD COACHES' MEETING

DIVISION I HEAD COACHES:

All head coaches and tournament officials are **required** to meet with the HHSAA executive director and boys basketball coordinator for tournament instructions on **Wednesday, February 22, 2012, 11:00 a.m., at McKinley High School's Hirata Hall Auditorium (the building adjacent to the main parking lot on the mauka side).**

DIVISION II HEAD COACHES:

All head coaches and tournament officials are **required** to meet with the HHSAA executive director and boys basketball coordinator for tournament instructions on **Thursday, February 23, 2012, 11:00 a.m., at McKinley High School's Hirata Hall Auditorium (the building adjacent to the main parking lot on the mauka side).**

V. TOURNAMENT SCHEDULE

Division I:

Wednesday, February 22, 2012 (McKinley H.S./Radford H.S.)

Game #1	5:00 p.m.	First round game (McKinley H.S.)
Game #2	7:00 p.m.	First round game (McKinley H.S.)
Game #3	5:00 p.m.	First round game (Radford H.S.)
Game #4	7:00 p.m.	First round game (Radford H.S.)

Thursday, February 23, 2012 (McKinley H.S./ Radford H.S.)

Game #5	3:00 p.m.	Consolation game (McKinley H.S.)
Game #6	5:00 p.m.	Quarterfinal game (McKinley H.S.)
Game #7	7:00 p.m.	Quarterfinal game (McKinley H.S.)
Game #8	3:00 p.m.	Consolation game (Radford H.S.)
Game #9	5:00 p.m.	Quarterfinal game (Radford H.S.)
Game #10	7:00 p.m.	Quarterfinal game (Radford H.S.)

Friday, February 24, 2012 (all games at Neal Blaisdell Arena)

Game #11	11:00 a.m.	Consolation game (Winners of Games 5 & 8)
Game #12	1:00 p.m.	Consolation game (Losers of Games 6 & 7)
Game #13	3:00 p.m.	Consolation game (Losers of Games 9 & 10)

Game #14	5:00 p.m.	Semifinal game
Game #15	7:00 p.m.	Semifinal game

Saturday, February 25, 2012 (all games at Neal Blaisdell Arena)

Game #16	1:00 p.m.	5 th Place Game (Winners of Games 12 & 13)
Game #17	3:00 p.m.	3 rd Place Game (Losers of Games 14 & 15)
Game #18	7:00 p.m.	Championship (Winners of Games 14 & 15)

The official time allotted between games (in the championship bracket) is 15 minutes. No game shall start before the established starting time.

Division II:

Thursday, February 23, 2012 (Farrington H.S./Kaimuki H.S.)

Game #1	5:00 p.m.	First round game (Farrington H.S.)
Game #2	7:00 p.m.	First round game (Farrington H.S.)
Game #3	5:00 p.m.	First round game (Kaimuki H.S.)
Game #4	7:00 p.m.	First round game (Kaimuki H.S.)

Friday, February 24, 2012 (Farrington H.S./Kaimuki H.S.)

Game #5	5:00 p.m.	Semifinal game (Farrington H.S.)
Game #6	7:00 p.m.	Semifinal game (Farrington H.S.)
Game #7	5:00 p.m.	Consolation game (Kaimuki H.S.)
Game #8	7:00 p.m.	Consolation game (Kaimuki H.S.)

Saturday February 25, 2012 (all games at Neal Blaisdell Arena)

Game #9	9:00 a.m.	5 th Place Game (Winners of Games 12 & 14)
Game #10	11:00 a.m.	3 rd Place Game (Losers of Games 13 & 15)
Game #11	5:00 p.m.	Championship (Winners of Games 13 & 15)

The official time allotted between games (in the championship bracket) is 15 minutes. No game shall start before the established starting time.

VI. TOURNAMENT BALL

The official tournament ball is the Spalding Top Flite-1000 Legacy.

VII. UNIFORMS

Whenever the name of the school appears above the name of its opponent in the bracket pairing, that team shall wear light uniforms. Whenever the name of a team appears below its opponent in the bracket pairing, that team shall wear dark uniforms.

VIII. TOURNAMENT REGULATIONS

Player Bench Occupants:

During a contest, the player-bench may be occupied by eligible substitutes, coaches, faculty representative, bona fide team managers, team statisticians, scorekeeper and team trainer or physician.

Only one team scorekeeper may sit on the tournament official's table at any one time.

Locker Room:

Coaches are requested to inform their athletes of the importance of appropriate conduct and behavior in the locker room. Schools and students will be charged for any damages incurred by them in the locker room.

Use of Floor between Halftime of Tournament Games:

The tournament site manager(s) shall be responsible to see that basket shooting shall not be permitted between halves of tournament games, except for the few minutes required by each team to warm-up prior to the start of the second half.

Cheerleading advisors should check with the Tournament Director for use of the floor during halftime and between games.

IX. PRACTICE SESSIONS PRIOR TO TOURNAMENT GAMES

There will be no practice time allotted to any team in the state tournament at any of the state tournament venues.

X. CODE OF CONDUCT

The Coach shall have direct responsibility for conduct of team members prior to, during and after tournament competition (in the hotel, in public, at the tournament, transporting to and from sites).

The HHSAA Executive Director may establish a common curfew hour as necessary.

The drinking of alcoholic beverages, smoking, drug use, loud, unruly or destructive behavior will not be tolerated.

Coaches are requested to inform their athletes of hotel rules and regulations. Please emphasize the importance of appropriate conduct and behavior and consideration for other hotel guests. Schools and students will be charged for any damages incurred by them at the hotel.

It is recommended that schools inform parents regarding the code-of-conduct in writing.

XI. STATE TOURNAMENT DISQUALIFICATION RULE

Any student-athlete or coach disqualified before, during, or after a state tournament game/match/event for unsportsmanlike conduct, flagrant verbal misconduct, or flagrant physical misconduct shall be disqualified from his/her next scheduled state tournament game/match/event for that sport. The student-athlete or coach has the right to appeal any such disqualification to an appeals committee for the particular sport. Should a student-athlete or coach be disqualified from the final state tournament game/match/event for that sport, said disqualification shall NOT carry over to the following school year's state tournament for that sport. Instead, the student-athlete's or coach's league shall determine any appropriate penalty or sanction.



HAWAIIAN AIRLINES BOYS BASKETBALL STATE CHAMPIONSHIPS
THURSDAY - SATURDAY, FEBRUARY 23-25, 2012
DIVISION II BRACKET
 Presented by the Hawaii High School Athletic Association

Saturday
Feb. 25

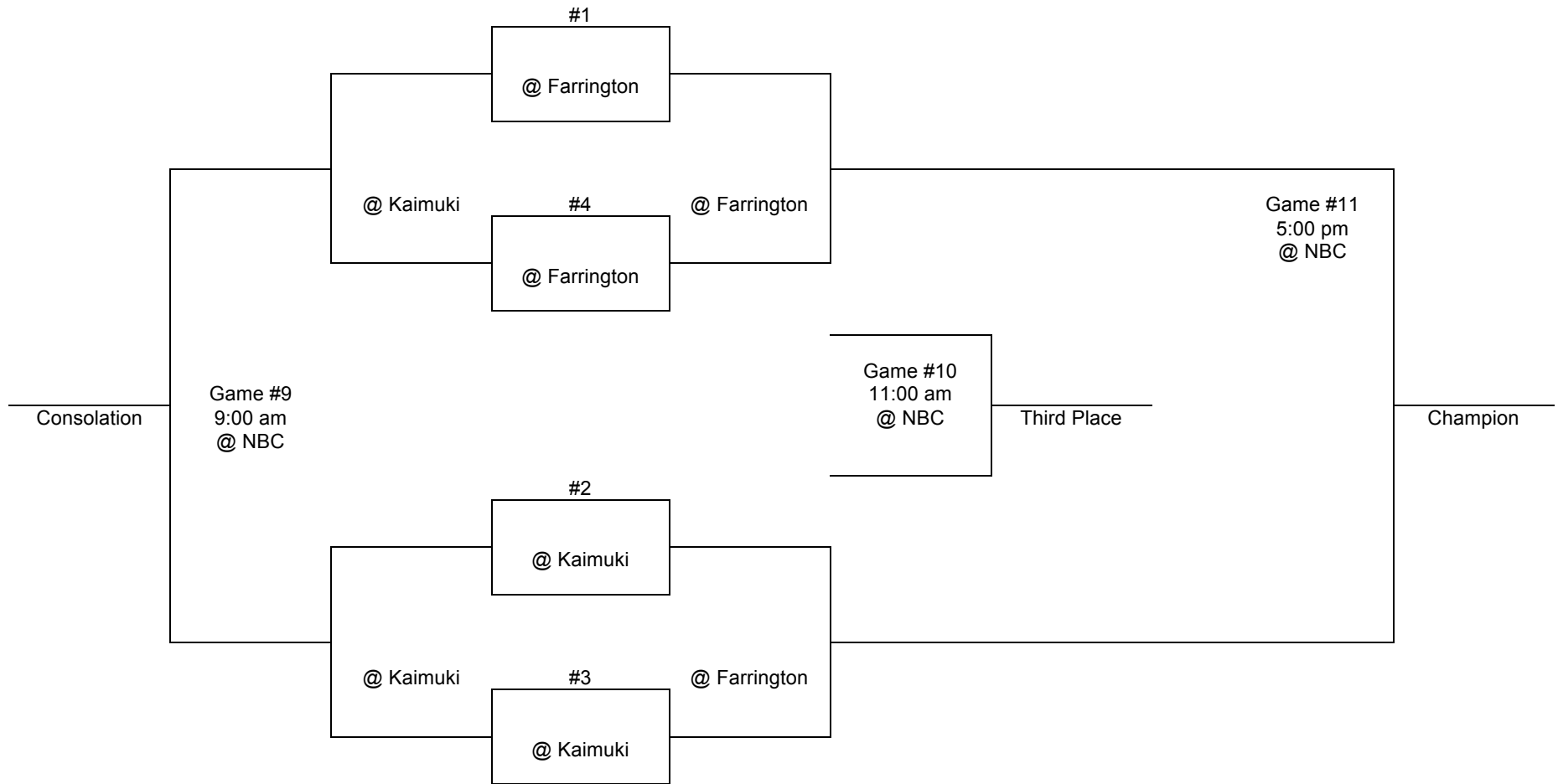
Friday
Feb. 24

Thursday
Feb. 23

Friday
Feb. 24

Saturday
Feb. 25

Saturday
Feb. 25



BASKETBALL TOURNAMENT

I. Specific Objectives

- A. To determine the state champion for basketball through tournament competition.
- B. To recognize the combined efforts of all the participating teams and schools in the tournament.
- C. To promote and encourage the highest principles of citizenship and positive behavior in tournament competition.
- D. To promote the highest principles of good citizenship in tournament competitions.

II. Officials

A. Qualifications and Requirements

1. Evidence of having passed the National Federation Basketball Officials' tests.
2. Recommended and approved by their respective leagues.
3. Game officials shall wear the standard black and white vertically striped uniform shirt and worn inside the trousers.
4. All state tournament officials/umpires shall wear uniforms in accordance with their sport's NFHS rules/guidelines/recommendations. In the absence of any NFHS rules/guidelines/recommendations, the sport's HHSAA Sport Coordinator shall have the final say as to the appropriateness of a state tournament official's/umpire's uniform.
5. The HHSAA Executive Director, Sport Coordinator and Selection Committee shall review the names recommended by the leagues and make the appropriate selections as needed for the State Tournament format.

B. Selection and Assignment

1. The selection of game officials shall be made by the Sport Coordinator and Officials Selection Committee. Alternates shall be appointed for each game. The Sport Coordinator shall serve as the chairperson of the Selection Committee.
2. Game officials and coaches are requested to meet with the Sport Coordinator prior to the tournament for a briefing regarding the Tournament format.
3. Leagues may request that an official be selected for the tournament. However, if selected, leagues shall be responsible for the official's expenses to the tournament.

C. Officials Compensation

1. Officials shall be compensated based on HHSAA rates.

III. Eligibility (See HHSAA Handbook)

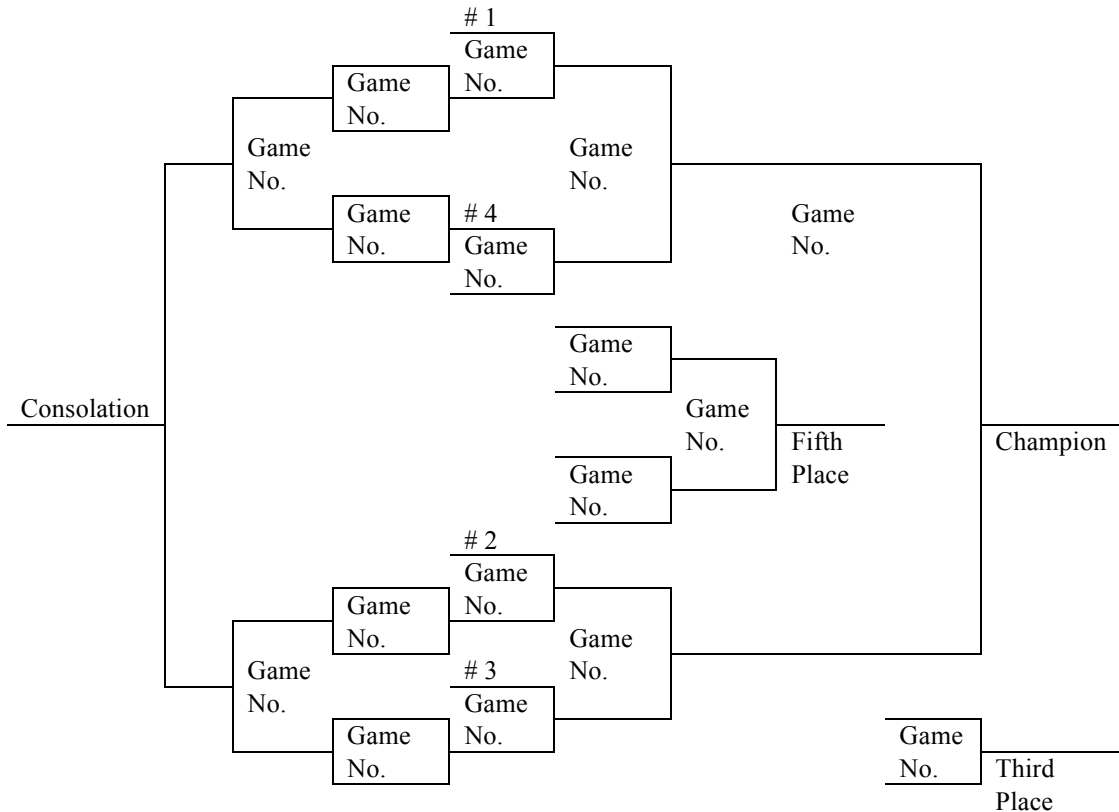
IV. Rules Governing Tournament

- A. National Federation Basketball Rules shall prevail, with HHSAA modification as needed.
- B. "Pain Killing" injections that are used for the purpose of participation shall not be administered to student-athletes at the game or sites during HHSAA tournament events.

V. Tournament Representation

- A.
$$\frac{\text{Number of Participating Teams in League}}{\text{Number of Participating Teams in State}} \times \text{Number of Teams in State Tournament}$$
- B. Pac-Five teams are eligible to participate in the following HHSAA state tournaments: football, boys soccer, girls soccer, canoe paddling, girls water polo, baseball, and softball. Also, the MIL's Pac-Three football team is eligible to participate in the HHSAA state football tournament.
- C. For team-only state tournaments, a combination team shall be counted in the league representation formula as long as one of the schools in the combination team has a minimum number of players, as follows:
 Volleyball – 6, Football – 11, Softball – 9, Soccer – 11, Basketball – 5, Baseball – 9, Canoe Paddling – 6, Water Polo – 7
- D. For team-only state tournaments, if a combination team qualifies for a state tournament, only players from one of the schools with the above-listed minimum number shall be allowed to participate in the state tournament.

VI. Tournament Format



VII. Size of Team in Tournament

Schools may bring an unlimited number and players accompanied by authorized coaches. Names of coaches and players must be listed on the official tournament roster.

VIII. Seeding/Pairing

(As of 6/2011)

- A. Seeding/Pairing committee shall be done by the Tournament Seeding Committee. Seeding Committee members will consist of the HHSAA Executive Director, Sports coordinators and Tournament Director.
- B. Committee shall seed four of the five league champions into two brackets. #1 and #4 seeded teams will be placed in the upper bracket and the #2 and #3 seeded teams will be placed in the lower bracket.
- C. If there is an unseeded champion, the unseeded champion shall be placed in the upper bracket with the #4 seeded team
- D. Place the individual leagues 2nd place teams in the bracket opposite of their league champion. The leagues 2nd place team should be placed according to how their league champion was seeded. Ex. The 2nd place team of the top seed (#1) shall be placed in the lower bracket with the #3 seeded team in the tournament. The 2nd place team of the second seeded team (#2) shall be placed in the upper bracket with the #4 seeded team.
- E. Place the individual leagues 3rd place team in the opposite bracket of their league champion. A leagues 3rd place team should not be paired with their leagues 2nd place team. If a leagues 3rd place team cannot be placed in the opposite bracket of their league champion, they will be placed in the same bracket as their league champion but will be placed with another leagues seeded team.
- F. If a league has more than three teams, place the leagues 4th place team in the first open slot starting from the upper bracket. Their 5th place team will be placed in the next available slot starting with the upper bracket. If the upper bracket is full, the 5th place team will be placed in the first available slot in the lower bracket. Continue with this procedure until all teams are placed.

IX. Tournament Regulations

- A. Player Bench Occupants
 1. During a contest, the player-bench may be occupied by eligible substitutes, coaches, faculty representative, bona fide team managers, team statisticians, scorekeeper and team trainer or physician.
 2. Only one team scorekeeper may sit on the tournament officials' table at any one time.
- B. Identifying Apparel for Scorekeeper and Timer

It is recommended that the official scorekeeper and official timer wear identifying apparel and that their location be clearly determined.
- C. Admission for Players, Cheerleaders and Press Representatives
 1. All players and coaches participating in the tournament may be admitted to the tournament games. Rather than furnishing tickets, a checklist will be used for admittance. All players and their coaches shall enter the Blaisdell Arena through the Pass Gate. Players must be accompanied by their coaches for admittance.
 2. Cheerleaders in uniform and whose names have been submitted on the Cheerleaders Roster may be admitted to the games in which their teams are participating. All cheerleaders and their coaches shall enter the Blaisdell Arena through the Pass Gate. Cheerleaders must be accompanied by their coaches for admittance.

3. An area for press representatives may be provided, but it must be away from the officials' table.

D. Use of Floor between Half-time of Tournament Games

The tournament site manager(s) shall be responsible to see that basket shooting shall not be permitted between halves of tournament games, except for the few minutes required by each team to warm-up prior to the start of the second half.

- E. The cutting of the net is permitted if it is made as part of the closing ceremony.

X. Tournament Ball

The tournament ball shall be the Spalding Top Flite-1000 Legacy basketball.

XI. Uniforms

- A. Whenever the name of a school appears above the name of its opponent in the bracket pairing, that team shall wear light uniforms. Whenever the name of a team appears below its opponent's in the bracket, that team shall wear dark uniforms.
- B. Beginning with the 2001-02 school year, each team participating in the football, soccer, and basketball state tournaments, shall bring to the state tournament both light and dark sets of uniforms. If a team violates this rule, they shall be subject to a penalty to be determined by the particular sport's HHSAA Sports Coordinator.

XII. Awards and Trophies

- A. Permanent trophies to Championship and Runner-up teams.
- B. 16 gold medals for Championship team.
- C. 16 silver medals for Runner-up team.
- D. Game ball to Championship team. If two balls are available, the runner-up team shall receive the second ball.
- E. Additional medals may be requested at school's own expense.

XIII. Evaluation

An evaluation report and tournament results shall be submitted by the Sport Coordinator to the HHSAA Executive Director within two weeks after the tournament.

XIV. Admission

High School Sites

Adults	\$7.00
Senior Citizens (62 and over)	\$5.00
Students (Grades K-12)	\$5.00

Blaisdell Arena

Adults	\$9.50
Senior Citizens (62 and over)	\$5.50
Students (Grades K-12)	\$5.50

**HAWAIIAN AIRLINES BASKETBALL STATE CHAMPIONSHIPS
SOUVENIR T-SHIRT ORDER FORM**



_____ School requests the following sizes of the 2012 Basketball State Championships souvenir t-shirts at \$20.00 per shirt and souvenir tournament programs at \$7.00 per program.

Size	Quantity WHITE	Quantity GRAY	Price	Total
Small			\$20.00	
Medium			\$20.00	
Large			\$20.00	
X-Large			\$20.00	
XX-Large			\$20.00	
Tournament Program			\$7.00	
			GRAND TOTAL	

Please make check payable to: Hawaii High School Athletic Association

Send pre-orders to Pac-Five (co-host school) by Monday, Feb. 6, 2012. Checks payable to HHSAA may be sent with pre-orders or brought to the coaches' meeting/tournament.

Host School:

Ramona Takahashi, Athletic Director
Kailua High School
Phone: (808) 266-7910 · Fax: (808) 263-1444

Note: Preorders must be paid in full by first day of the tournament or shirts will be released to the general public.

Contact person: _____
Phone: _____
School: _____
Check one: <input type="checkbox"/> Check placed in mail <input type="checkbox"/> Will drop off at coaches meeting

HHSAA BOYS BASKETBALL CHAMPIONSHIP RECORDS

HHSAA "A" BASKETBALL CHAMPIONSHIP RECORDS- BOYS

<u>Year</u>	<u>Champion</u>	<u>League</u>	<u>Coach</u>
1965	University High	ILH	Nelson Yoshioka
1966	Laupahoehoe	BIIF	Don Ridgely
1970	Laupahoehoe	BIIF	Himeo Hayashida
1971	Kahuku	OIA	Norman Pule
1972	Nanakuli	OIA	Hugh Taufaaasau
1973	Kahuku	OIA	Norman Pule
1974	Kahuku	OIA	Harry Kahuanui
1975	Nanakuli	OIA	Hugh Taufaaasau
1976	Nanakuli	OIA	Hugh Taufaaasau
1977	St. Anthony	MIL	Paul Pladera
1978	Maryknoll	ILH	Tony Sellitto
1979	Maryknoll	ILH	Tony Sellitto
1980	Maryknoll	ILH	Tony Sellitto
1981	Waialua	OIA	David Almadova
1982	Lahainaluna	MIL	Robert Mack

NOTE: The boys "A" basketball tournament was terminated and consolidated into the new 12-team format for boys basketball.

<u>Year</u>	<u>Champion</u>	<u>League</u>	<u>Head Coach</u>	<u>Score</u>	<u>Runner-up</u>	<u>Third Place</u>	<u>Fourth Place</u>
1957	St. Louis	ILH	Walter Wong	65-55	Hilo	(Lahainaluna and Kaimuki)	
1958	St. Joseph	BIIF	Walter Victor	53-51 (OT)	St. Louis	Hilo	Punahou
1959	Farrington	ILH	Robert Ikehara	48-37	Kamehameha	Hilo	St. Anthony
1960	Farrington	ILH	Robert Ikehara	44-32	St. Louis	Laupahoehoe	Baldwin
1961	St. Louis	ILH	Walter Wong	54-44	Punahou	St. Anthony	Hilo
1962	Kamehameha	ILH	Jack Herbertson	59-58	Punahou	Hilo	Radford
1963	Kamehameha	ILH	Jack Herbertson	60-40	Punahou	Hilo	Waipahu
1964	Hilo	BIIF	Albert Manliguis	63-55	Punahou	Kamehameha	St. Anthony
1965	Kamehameha	ILH	Jack Herbertson	55-49	Kailua	St. Joseph	Hilo
1966	St. Louis	ILH	Walter Wong	69-49	Kamehameha	Hilo	Farrington
1967	St. Louis	ILH	Walter Wong	48-40	Hilo	Kahuku	Punahou
1968	St. Louis	ILH	Walter Wong	60-36	Punahou	Kahuku	Kailua
1969	Radford	OIA	James Alegre	66-51	Kamehameha	Punahou	Hilo
1970	Punahou	ILH	Bud Scott	56-44	Farrington	Hilo	Castle
1971	Radford	OIA	James Alegre	51-50	Kamehameha	Kaimuki	Punahou
1972	Kailua	OIA	Mervin Lopes	65-44	St. Louis	Radford	Punahou
1973	Leilehua	OIA	Richard Townsend	56-52	Hilo	Punahou	Radford
1974	Punahou	ILH	Bud Scott	73-56	Kailua	Radford	Farrington
1975	Punahou	ILH	Chris McLachlin	77-70	Kailua	Hilo	Kalani
1976	Kamehameha	ILH	Jeff Mast	46-39	Maryknoll	Kalaheo	Pearl City
1977	Radford	OIA	James Alegre	48-46	Punahou	St. Louis	Hilo
1978	University	ILH	Claude Hottendorf	65-63 (OT)	Punahou	Baldwin	Radford
1979	Punahou	ILH	Chris McLachlin	60-28	Moanalua	Baldwin	Kohala
1980	Punahou	ILH	Ray Buck	73-60	University	Waipahu	Hilo
1981	Punahou	ILH	Robin Durand	41-40	Maryknoll	Castle	Moanalua
1982	Kailua	OIA	Louis Santos	47-42	Maryknoll	University	Baldwin
1983	Iolani	ILH	Glenn Young	62-46	Leilehua	Farrington	University
1984	Maryknoll	ILH	Tony Sellitto	55-44	Maui	Kalaheo	Kohala
1985	Kalaheo	OIA	Pete Smith	57-55	Radford	Maryknoll	Kamehameha
1986	St. Louis	ILH	Kaipo Spencer	37-31	Maryknoll	Kalaheo	Pearl City
1987	University	ILH	Robert Au	47-43	Punahou	Maryknoll	Hilo
1988	University	ILH	Darryl Gabriel	38-36	Maryknoll	Kamehameha	Molokai
1989	Radford	OIA	James Alegre	57-55	Kamehameha	Honokaa	Iolani
1990	Punahou	ILH	Chris McLachlin	68-58	Maui	Baldwin	Iolani
1991	Hilo	BIIF	Larry Manliguis	59-44	Kalaheo	Baldwin	Kamehameha
1992	Kamehameha	ILH	James Winchester	76-73 (3OT)	Hilo	Kaimuki	Kalaheo
1993	Kaimuki	OIA	Raymond Fujino	53-50	Aiea	Kalaheo	Baldwin
1994	Iolani	ILH	Dr. Mark Mugiishi	53-52	Kamehameha	Kalaheo	Baldwin
1995	Kalaheo	OIA	Pete Smith	49-42	St. Louis	Waiakea	Hilo
1996	Moanalua	OIA	Eddie Maruyama	49-44	Kalaheo	St. Louis	Iolani
1997	Moanalua	OIA	Eddie Maruyama	58-57	Iolani	Kalaheo	Hilo
1998	Iolani	ILH	Mark Mugiishi	62-59 (2OT)	Kalaheo	St. Louis	Maui
1999	Punahou	ILH	Alan Lum	51-47 (OT)	Kalaheo	St. Louis	Waiakea
2000	Hilo	BIIF	Larry Manliguis	68-55	St. Louis	Roosevelt	Baldwin
2001	Kalaheo	OIA	Pete Smith	68-60	Iolani	Honokaa	St. Louis
2002	Iolani	ILH	Dr. Mark Mugiishi	58-57	Kalaheo	Kaimuki	Mililani

HHSAA BOYS BASKETBALL CHAMPIONSHIP RECORDS

2003	Iolani	ILH	Dr. Mark Mugiishi	61-37	St. Louis	Maui	Kamehameha
2004	Iolani	ILH	Dr. Mark Mugiishi	64-54	Kalaheo	Punahou	Miililani
2005	Iolani	ILH	Dr. Mark Mugiishi	62-51	Kahuku	Baldwin	Campbell
2006	Iolani	ILH	Dr. Mark Mugiishi	54-41	Kaimuki	KS-Kapalama	Kahuku

DIVISION I

<u>Year</u>	<u>Champion</u>	<u>League</u>	<u>Head Coach</u>	<u>Score</u>	<u>Runner-up</u>	<u>Third Place</u>	<u>Fourth Place</u>
2007	Kaimuki	OIA	Kelly Grant	61-53	Punahou	Kalaheo	KS-Hawaii
2008	Punahou	ILH	Dan Hale	41-38	KS-Hawaii	Konawaena	-
2009	Kamehameha	ILH	Jesse Nakanishi	47-45	Kahuku	Iolani	Kaimuki
2010	Iolani	ILH	Dean Shimamoto	46-43	Kamehameha	Punahou	Kahuku
2011	Kamehameha	ILH	Jesse Nakamishi	64-53	Iolani	Kahuku	Academy of the Pacific

DIVISION II

<u>Year</u>	<u>Champion</u>	<u>League</u>	<u>Head Coach</u>	<u>Score</u>	<u>Runner-up</u>	<u>Third Place</u>	<u>Fourth Place</u>
2007	McKinley	OIA	Bob Morikuni	55-28	Kohala	Farrington	Aiea
2008	Farrington	OIA	Allan Silva	70-68	Aiea	McKinley	Hawaii Baptist
2009	Kailua	OIA	Tim Harrison	53-36	Castle	Kohala	Molokai
2010	Pahoa	BIF	Eric Yoshimura	41-38	Kailua	Kapaa	Academy of the Pacific
2011	Farrington	OIA	Allan Silva	58-45	Pahoa	University	Island Pacific