

**HAWAIIAN AIRLINES
GIRLS BASKETBALL STATE CHAMPIONSHIPS
FEBRUARY 16-19, 2010**

**DIVISION I: MCKINLEY & RADFORD HIGH SCHOOLS (FEB.
16-17); BLAISDELL ARENA (Feb. 18-19)**

**DIVISION II: KALANI & FARRINGTON HIGH SCHOOLS (FEB.
16-18); BLAISDELL ARENA (FEB. 19)**

**HAWAII HIGH SCHOOL ATHLETIC ASSOCIATION
 HAWAIIAN AIRLINES GIRLS BASKETBALL STATE CHAMPIONSHIPS
 McKINLEY (DI), RADFORD (DI), KALANI (DII), FARRINGTON (DII)
 & NEAL BLAISDELL ARENA (DI/DII)
 TUESDAY-FRIDAY, FEBRUARY 16-19, 2010**

HAWAII HIGH SCHOOL ATHLETIC ASSOCIATION

Executive Director..... Keith Amemiya
 Director of Information Natalie Iwamoto
 Girls Basketball Coordinator..... Alex Kane

TOURNAMENT COMMITTEE

Host School Pac-Five / Academy of the Pacific
 Tournament Directors Peter Estomago & Ryan Hogue
 ILH Executive Director Don Botelho
 Awards Ceremony Hawaiian Airlines
 Tournament Statistics Wilmar Alvarado, Pakalani Bello, Paula Chong, Jared Gandia, Tracy Hatanaka, Neal Iwamoto,
 Natalie Iwamoto Coreen Muraoka, Ryan Reggiani, Lili Ann Sora, Chris Wells & Kristen Yoshimoto
 Publicity Natalie Iwamoto
 Officials & Game Assignments..... HHSAA Committee
 Official Scorers Tara Aiu, Jace Lum Hoy, Gail Juan, Debbie Lukela, Dottie Nahale, King Wong & Joann Yokogawa
 Rules..... Alex Kane, Pat Tanibe, Sam Delos Reyes, Stacie Nii & Todd Apo
 Pairings..... Alex Kane, John Chung, Stacie Nii, Peter Estomago & Keith Amemiya
 Medical Personnel OIA & ILH Athletic Trainers
 Announcers..... Keenan Goo, Ryan Hirata, Bryce Kaneshiro & Ben Kiaaina
 Committee Room Pac-Five / Academy of the Pacific

SPECIAL THANKS

Hawaiian Airlines..... Alison Ohama & Debbie Nakanelua
 Farrington High School Catherine Payne, Principal
 Harold Tanaka, Athletic Director
 Kalani High School Gerald Teramae, Principal
 Greg Van Cantfort, Athletic Director
 McKinley High School..... Ron Okamura, Principal
 Neal Takamori, Athletic Director
 Radford High School..... Elias Ali, Principal
 Kelly Sur, Athletic Director
 Neal Blaisdell Center Sidney Quintal, John Fuhrmann & Mary Lewis
 City & County of Honolulu..... Mayor Mufi Hannemann

**HAWAIIAN AIRLINES/HHSAA GIRLS BASKETBALL STATE CHAMPIONSHIPS
TUESDAY-FRIDAY, FEBRUARY 16-19, 2010**

TOURNAMENT INFORMATION

I. HHSAA GIRLS BASKETBALL REGULATIONS

HHSAA Basketball Regulations may be found in the HHSAA Handbook section found in this packet.

II. TOURNAMENT REPRESENTATION

	DIVISION I	DIVISION II
OIA	6	3
ILH	2	4
BIIF	2	2
MIL	2	2
KIF	0	1
TOTAL	12	12

III. TEAM ROSTERS AND PICTURES

Schools with teams that have secured or are in contention for a tournament berth are required to submit team rosters, team photo and photo caption via e-mail to iwamoto@hhsaa.org and piilani@tradepublishing.com. (All three items must be sent to both e-mail addresses)

The official roster form can be downloaded at www.sportshigh.com. Only official roster forms will be accepted and the roster **MUST** be e-mailed to the above e-mail addresses. Please be sure to save the rosters, photos and captions with your school name (do not abbreviate, i.e. KHS, MHS, WHS, etc.). Also, please put your school name and sport in the subject line of the e-mail.

Team pictures submitted on disk or via e-mail are required to be **300 dpi or greater**. Otherwise, a hard copy of the team picture is required and must be mailed or hand delivered to the below address. Photo captions identifying individuals (left to right and by row) must be e-mailed or delivered to Trade Publishing in a digital format (i.e. saved on a CD, flash drive).

Trade Publishing Co.
Attn: Piilani Aikau (Ph: 848-0711)
287 Mokauea Street
Honolulu, HI 96819

DEADLINE: TUESDAY, FEB. 9, 2010, NOON

IV. HEAD COACHES' MEETING

All head coaches or their designees are **required** to attend the pre-tournament meeting on **Tuesday, February 16, 2010, at 10:00 a.m. in McKinley High School's Hirata Hall Auditorium (located adjacent to the main parking lot on the mauka side).**

V. TOURNAMENT SCHEDULE

Division I:

Tuesday, February 16, 2010 (McKinley H.S./Radford H.S.)

Game #1	5:00 p.m.	First round game (McKinley H.S.)
Game #2	7:00 p.m.	First round game (McKinley H.S.)
Game #3	5:00 p.m.	First round game (Radford H.S.)
Game #4	7:00 p.m.	First round game (Radford H.S.)

Wednesday, February 17, 2010 (McKinley H.S./Radford H.S.)

Game #5	3:00 p.m.	Consolation game (McKinley H.S.)
Game #6	5:00 p.m.	Quarterfinal game (McKinley H.S.)
Game #7	7:00 p.m.	Quarterfinal game (McKinley H.S.)
Game #8	3:00 p.m.	Consolation game (Radford H.S.)
Game #9	5:00 p.m.	Quarterfinal game (Radford H.S.)
Game #10	7:00 p.m.	Quarterfinal game (Radford H.S.)

Thursday, February 18, 2010 (all games at Neal Blaisdell Arena)

Game #11	11:00 a.m.	Consolation game (winners of games 5 & 8)
Game #12	1:00 p.m.	Consolation game (losers of games 6 & 7)
Game #13	3:00 p.m.	Consolation game (losers of games 9 & 10)
Game #14	5:00 p.m.	Semifinal game
Game #15	7:00 p.m.	Semifinal game

Friday, February 19, 2010 (all games at Neal Blaisdell Arena)

Game #16	1:00 p.m.	5 th Place Game (Winners of Games 12 & 13)
Game #17	3:00 p.m.	3 rd Place Game (Losers of Games 14 & 15)
Game #18	7:00 p.m.	Championship Game (Winners of Games 14 & 15)

The official time allotted between games (in the championship bracket) is 15 minutes. No game shall start before the established starting time.

Division II:

Tuesday, February 16, 2010 (Kalani H.S./Farrington H.S.)

Game #1	5:00 p.m.	First round game (Kalani H.S.)
Game #2	7:00 p.m.	First round game (Kalani H.S.)
Game #3	5:00 p.m.	First round game (Farrington H.S.)
Game #4	7:00 p.m.	First round game (Farrington H.S.)

Wednesday, February 17, 2010 (Kalani H.S./ Farrington H.S.)

Game #5	3:00 p.m.	Consolation game (Kalani H.S.)
Game #6	5:00 p.m.	Quarterfinal game (Kalani H.S.)
Game #7	7:00 p.m.	Quarterfinal game (Kalani H.S.)
Game #8	3:00 p.m.	Consolation game (Farrington H.S.)
Game #9	5:00 p.m.	Quarterfinal game (Farrington H.S.)
Game #10	7:00 p.m.	Quarterfinal game (Farrington H.S.)

Thursday, February 18, 2010 (Kalani H.S./ Farrington H.S.)

Game #11	3:00 p.m.	Consolation game (Kalani H.S.)
Game #12	5:00 p.m.	Consolation game (Kalani H.S.)
Game #13	7:00 p.m.	Semifinal game (Kalani H.S.)
Game #14	5:00 p.m.	Consolation game (Farrington H.S.)
Game #15	7:00 p.m.	Semifinal game (Farrington H.S.)

Friday, February 19, 2010 (all games at Neal Blaisdell Arena)

Game #16	9:00 a.m.	5 th Place Game (Winners of Games 12 & 14)
Game #17	11:00 a.m.	3 rd Place Game (Losers of Games 13 & 15)
Game #18	5:00 p.m.	Championship Game (Winners of Games 13 & 15)

The official time allotted between games (in the championship bracket) is 15 minutes. No game shall start before the established starting time.

VI. CODE-OF-CONDUCT

The coach shall have direct responsibility for the conduct of team members prior to, during and after tournament competition (in the hotel, in public, at the tournament, transportation to and from sites).

The HHSAA Executive Director may establish a common curfew hour, as necessary.

The drinking of alcoholic beverages, smoking, drug use, loud, unruly or destructive behavior will not be tolerated.

Coaches are requested to inform their athletes of hotel rules and regulations. Please emphasize the importance of appropriate conduct and behavior and consideration for other hotel guests. Schools and students will be charged for any damages incurred by them at the hotel.

It is recommended that schools inform parents regarding Code-of-Conduct in writing.

VII. STATE TOURNAMENT DISQUALIFICATION RULE

Any student-athlete or coach disqualified before, during, or after a state tournament game/match/event for unsportsmanlike conduct, flagrant verbal misconduct, or flagrant physical misconduct shall be disqualified from his/her next scheduled state tournament game/match/event for that sport. The student-athlete or coach has the right to appeal any such disqualification to an appeals committee for the particular sport. Should a student-athlete or coach be disqualified from the final state tournament game/match/event for that sport, said disqualification shall NOT carry over to the following school year's state tournament for that sport. Instead, the student-athlete's or coach's league shall determine any appropriate penalty or sanction.



HAWAIIAN AIRLINES GIRLS BASKETBALL STATE CHAMPIONSHIPS
TUESDAY-FRIDAY, FEBRUARY 16-19, 2010
DIVISION II BRACKET
 Presented by the Hawaii High School Athletic Association

Thursday,
Feb. 18

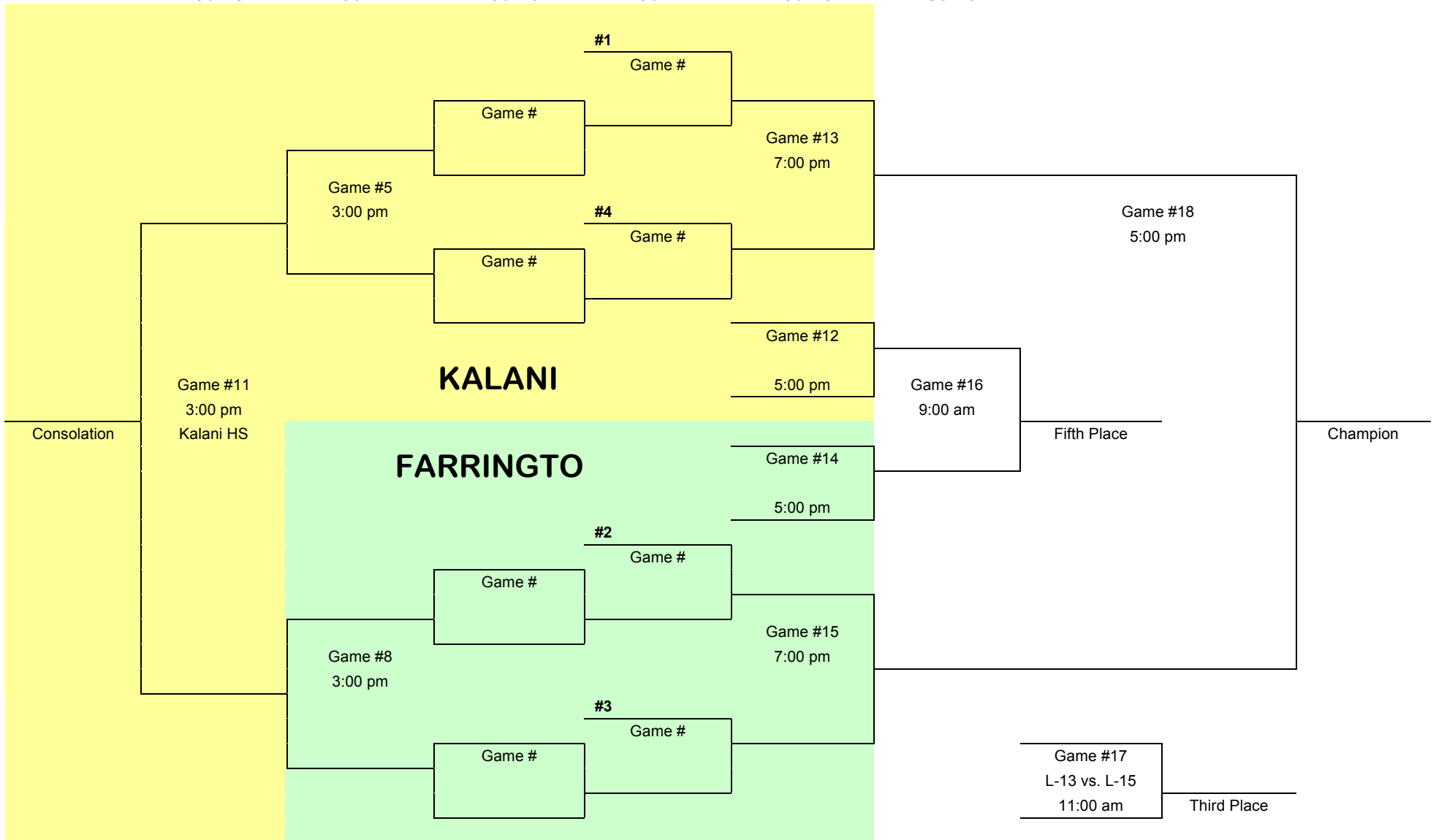
Wednesday,
Feb. 17

Tuesday,
Feb. 16

Wednesday,
Feb. 17

Thursday,
Feb. 18

Friday,
Feb. 19



BASKETBALL TOURNAMENT

I. Specific Objectives

- A. To determine the state champion for basketball through tournament competition.
- B. To recognize the combined efforts of all the participating teams and schools in the tournament.
- C. To promote and encourage the highest principles of citizenship and positive behavior in tournament competition.
- D. To promote the highest principles of good citizenship in tournament competitions.

I. Officials

A. Qualifications and Requirements

1. Evidence of having passed the National Federation Basketball Officials' tests.
2. Recommended and approved by their respective leagues.
3. Game officials shall wear the standard black and white vertically striped uniform shirt and worn inside the trousers.
4. All state tournament officials/umpires shall wear uniforms in accordance with their sport's NFHS rules/guidelines/recommendations. In the absence of any NFHS rules/guidelines/recommendations, the sport's HHSAA Sport Coordinator shall have the final say as to the appropriateness of a state tournament official's/umpire's uniform.
5. The HHSAA Executive Director, Sport Coordinator and Selection Committee shall review the names recommended by the leagues and make the appropriate selections as needed for the State Tournament format.

B. Selection and Assignment

1. The selection of game officials shall be made by the Sport Coordinator and Officials Selection Committee. Alternates shall be appointed for each game. The Sport Coordinator shall serve as the chairperson of the Selection Committee.
2. Game officials and coaches are requested to meet with the Sport Coordinator prior to the tournament for a briefing regarding the Tournament format.
3. Leagues may request that an official be selected for the tournament. However, if selected, leagues shall be responsible for the official's expenses to the tournament.

C. Officials Compensation

1. Officials shall be compensated based on HHSAA rates.

III. Eligibility (See HHSAA Handbook)

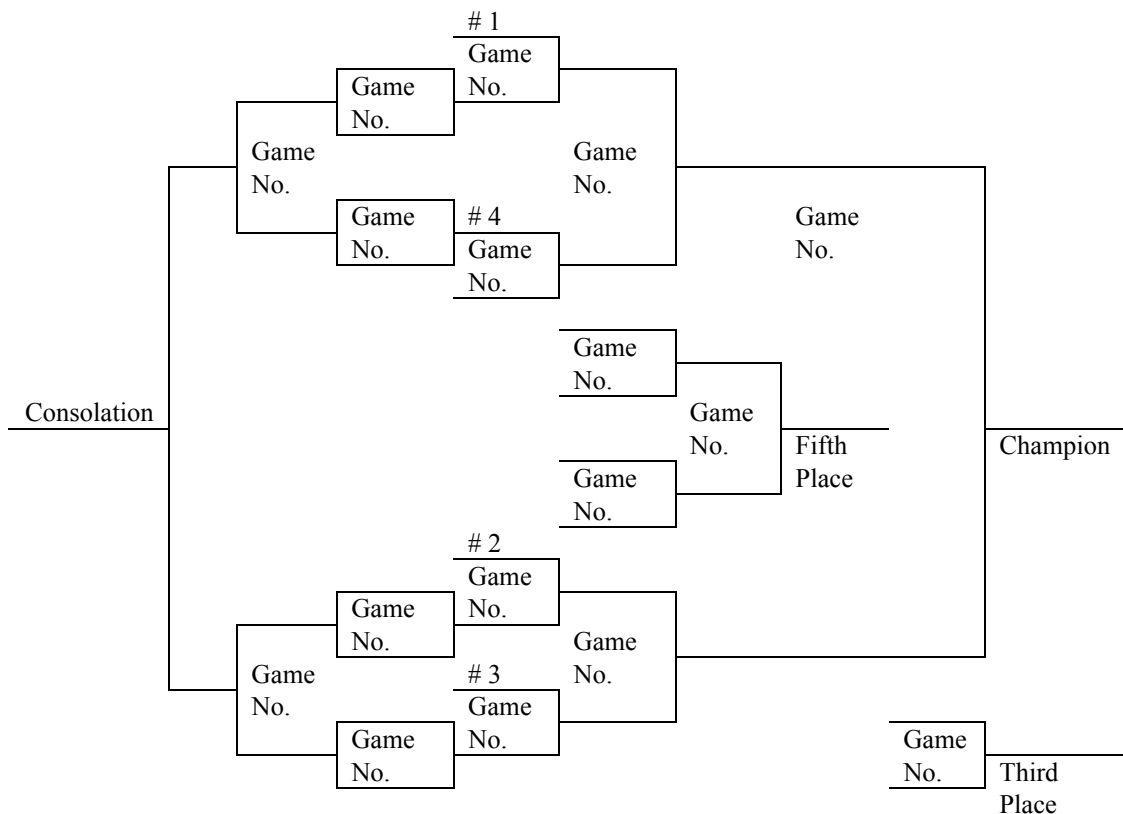
IV. Rules Governing Tournament

- A. National Federation Basketball Rules shall prevail, with HHSAA modification as needed.
- B. "Pain Killing" injections that are used for the purpose of participation shall not be administered to student-athletes at the game or sites during HHSAA tournament events.

V. Tournament Representation

- A.
$$\frac{\text{Number of Participating Teams in League}}{\text{Number of Participating Teams in State}} \times \text{Number of Teams in State Tournament}$$
- B. Pac-Five teams are eligible to participate in the following HHSAA state tournaments: football, softball, boys soccer, girls soccer, canoe paddling, girls water polo, and baseball. Also, the MIL's Pac-Three football team is eligible to participate in the HHSAA state football tournament.
- C. For team-only state tournaments, a combination team shall be counted in the league representation formula as long as one of the schools in the combination team has a minimum number of players, as follows:
 Volleyball – 6, Football – 11, Softball – 9, Soccer – 11, Basketball – 5, Baseball – 9, Canoe Paddling – 6, Water Polo – 7
- D. For team-only state tournaments, if a combination team qualifies for a state tournament, only players from one of the schools with the above-listed minimum number shall be allowed to participate in the state tournament.

VI. Tournament Format



VII. Size of Team in Tournament

Schools may bring an unlimited number and players accompanied by authorized coaches. Names of coaches and players must be listed on the official tournament roster.

VIII. Seeding/Pairing

- A. Seeding/Pairings shall be done by the Tournament Seeding/Pairing Committee and provided to the Radio, TV and News media.

Seeding/Pairing Committee

1. HHSAA Executive Director, Chairperson
 2. Sport Coordinators
 3. Tournament Director
 4. Others as selected by the Sport Coordinator
- B. Byes shall be granted to four champions from the five leagues according to their demonstrated strength (and seeded one to four accordingly).
- C. The #2 and #3 teams of a league (where applicable) shall be placed in the opposite bracket from the league's seeded champion.
- D. The #4 and #5 teams of a league (where applicable) shall be placed in the same bracket as the seeded league champion.
- E. Pairings shall be made so that teams from the same league do not meet in the first round. The only exception shall be when a league with five or more representatives has the unseeded champion.
- F. The unseeded league champion (where applicable) shall be paired whenever possible with a #3, #4, #5, or a #6 place team from another league.
- G. Whenever possible, the top-seeded and second-seeded league champions shall play the winner of the first round game involving the lowest-finishing league qualifier (e.g., OIA #5) in their half of the tournament bracket.
- H. The tournament seeding/pairings committee shall have the authority to modify any of the above guidelines if necessary.

IX. Tournament Regulations

A. Player Bench Occupants

1. During a contest, the player-bench may be occupied by eligible substitutes, coaches, faculty representative, bona fide team managers, team statisticians, scorekeeper and team trainer or physician.
2. Only one team scorekeeper may sit on the tournament officials' table at any one time.

B. Identifying Apparel for Scorekeeper and Timer

It is recommended that the official scorekeeper and official timer wear identifying apparel and that their location be clearly determined.

C. Admission for Players, Cheerleaders and Press Representatives

1. All players and coaches participating in the tournament may be admitted to the tournament games. Rather than furnishing tickets, a checklist will be used for admittance. All players and their coaches shall enter the Stan Sheriff Center through the Pass Gate. Players must be accompanied by their coaches for admittance.
2. Cheerleaders in uniform and whose names have been submitted on the Cheerleaders Roster may be admitted to the games in which their teams are participating. All

cheerleaders and their coaches shall enter the Stan Sheriff Center through the Pass Gate. Cheerleaders must be accompanied by their coaches for admittance.

3. An area for press representatives may be provided, but it must be away from the officials' table.

D. Use of Floor between Half-time of Tournament Games

The tournament site manager(s) shall be responsible to see that basket shooting shall not be permitted between halves of tournament games, except for the few minutes required by each team to warm-up prior to the start of the second half.

- E. The cutting of the net is permitted if it is made as part of the closing ceremony.

X. Tournament Ball

The tournament ball shall be the Spalding Top-Flite Wide Channel Basketball.

XI. Uniforms

- A. Whenever the name of a school appears above the name of its opponent in the bracket pairing, that team shall wear light uniforms. Whenever the name of a team appears below its opponent's in the bracket, that team shall wear dark uniforms.
- B. Beginning with the 2001-02 school year, each team participating in the football, soccer, and basketball state tournaments, shall bring to the state tournament both light and dark sets of uniforms. If a team violates this rule, they shall be subject to a penalty to be determined by the particular sport's HHSAA Sports Coordinator.

XII. Awards and Trophies

- A. Permanent trophies to Championship and Runner-up teams.
- B. 16 gold medals for Championship team.
- C. 16 silver medals for Runner-up team.
- D. Game ball to Championship team. If two balls are available, the runner-up team shall receive the second ball.
- E. Additional medals may be requested at school's own expense.

XIII. Evaluation

An evaluation report and tournament results shall be submitted by the Sport Coordinator to the HHSAA Executive Director within two weeks after the tournament.

XIV. Admission

High School Sites

Adults	\$7.00
Senior Citizens (62 and over)	\$5.00
Students (Grades K-12)	\$5.00

Neal Blaisdell Arena (plus any additional Blaisdell-mandated surcharge)

Adults	\$9.00
Senior Citizens (62 and over)	\$5.00
Students (Grades K-12)	\$5.00

**HAWAIIAN AIRLINES BASKETBALL STATE CHAMPIONSHIPS
SOUVENIR T-SHIRT ORDER FORM**

_____ School requests the following sizes of the 2010 Basketball State Championships souvenir t-shirts at \$15.00 per shirt and souvenir tournament programs at \$7.00 per program.

Size	Quantity	Price/T-shirt	Total
Small		\$15.00	
Medium		\$15.00	
Large		\$15.00	
X-Large		\$15.00	
XX-Large		\$15.00	
Tournament Program		\$7.00	
		GRAND TOTAL	

Please make check payable to: Hawaii High School Athletic Association

Send pre-orders to Pac-Five (host school) by Monday, Feb. 15, 2010. Checks payable to HHSAA may be sent with pre-orders or brought to the coaches' meeting/tournament.

Peter Estomago, Athletic Director
Pac-Five Athletics
c/o 509 Halela Street, Kailua, HI 96734
Ph: (808) 956-8846 · Fax: (808) 956-7260

Note: Preorders must be paid in full by first day of the tournament or shirts will be released to the general public.

Contact person: _____
Phone: _____
School: _____
Check one: <input type="checkbox"/> Check placed in mail <input type="checkbox"/> Will drop off at coaches meeting

HHSAA GIRLS BASKETBALL CHAMPIONSHIP RECORDS

YEAR	CHAMPION	LEAGUE	HEAD COACH	RUNNER-UP	THIRD PLACE	FOURTH PLACE
1977	Maryknoll	ILH	Russell Dung	Punahou	Kamehameha	Waianae
1978	Maryknoll	ILH	Russell Dung	Kalaheo	Waipahu	Kohala
1979	Punahou	ILH	Robin Durand	University	Kalaheo	Moanalua
1980	Punahou	ILH	Robin Durand	University	Kahuku	Leilehua
1981	Punahou	ILH	Robin Durand	University	Roosevelt	Waipahu
1982	University	ILH	Larry Kanda	Punahou	Roosevelt	Waianae
1983	Kahuku	OIA	Harry Kahuanui	University	Radford	Kamehameha
1984	University	ILH	Nelson Yoshioka	Kamehameha	Roosevelt	Waianae
1985	Waiakea	BIIF	Gilbert Tomas	Kahuku	Roosevelt	Farrington
1986	Waiakea	BIIF	Gilbert Tomas	Farrington	Kahuku	Iolani
1987	Iolani	ILH	Calvin Hashimoto	Maryknoll	Aiea	Farrington
1988	Kamehameha	ILH	Al Apo	Waiakea	Iolani	Maryknoll
1989	Iolani	ILH	Bernie Ching	Kamehameha	Kaiser	Kahuku
1990	Kamehameha	ILH	Al Apo	Iolani	Hilo	Farrington
1991	Kamehameha	ILH	Al Apo	University	Radford	Moanalua
1992	Kamehameha	ILH	Al Apo	Moanalua	Honokaa	Radford
1993	Kamehameha	ILH	Al Apo	Iolani	Moanalua	Waiakea
1994	Punahou	ILH	Shelley Kahuanui Fey	Iolani	Moanalua	Kahuku
1995	Iolani	ILH	Bernie Ching	Kamehameha	Punahou	McKinley
1996	Iolani	ILH	Bernie Ching	Kamehameha	McKinley	Radford
1997	Punahou	ILH	Shelley Kahuanui Fey	Honokaa	McKinley	Kalaheo
1998	Punahou	ILH	Shelley Kahuanui Fey	Kalaheo	Waiakea	Baldwin
1999	Kamehameha	ILH	Clay Cockett	Punahou	Kalaheo	Waiakea
2000	Kamehameha	ILH	Clay Cockett	Kalaheo	Punahou	Mid-Pacific
2001	Aiea	OIA	Fran Villarmia-Kahawai	Kalaheo	(none)	(none)
2002	Kamehameha	ILH	Clay Cockett	Punahou	Iolani	Kahuku
2003	Punahou	ILH	Mike Taylor	Kahuku	Moanalua	Farrington

DIVISION I CHAMPIONSHIP

YEAR	CHAMPION	LEAGUE	HEAD COACH	RUNNER-UP	THIRD PLACE	FOURTH PLACE
2004	Konawaena	BIIF	Bobbie Awa	Kahuku	Punahou	Baldwin
2005	Punahou	ILH	Mike Taylor	Konawaena	Honoka`a	Kahuku
2006	Punahou	ILH	Mike Taylor	Roosevelt	Honoka`a	Konawaena
2007	Konawaena	BIIF	Bobbie Awa	Punahou	Honokaa	Iolani
2008	Punahou	ILH	Mike Taylor	Iolani	Radford	Waiakea
2009	Konawaena	BIIF	Bobbie Awa	Punahou	Lahainaluna	Farrington

DIVISION II CHAMPIONSHIP

YEAR	CHAMPION	LEAGUE	HEAD COACH	RUNNER-UP	THIRD PLACE	FOURTH PLACE
2004	Roosevelt	OIA	Bobby Keanini	St. Andrew's	St. Joseph	St. Anthony
2005	KS-Hawaii	BIIF	Kimo Miller	St. Francis	Seabury	Kalani
2006	Kalani	OIA	Darold Imanaka	KS-Hawaii	St. Francis	LaPietra
2007	KS-Hawaii	BIIF	Kalani Silva	Sacred Hearts	McKinley	Campbell
2008	Campbell	OIA	Nathan Macadangang	McKinley	Kailua	Molokai
2009	Molokai	MIL	Doug Furlong	KS-Hawaii	Kaimuki	Kapaa