



**HAWAIIAN AIRLINES
GIRLS BASKETBALL STATE CHAMPIONSHIPS
FEBRUARY 7-10, 2012**

**DIVISION I: MCKINLEY & MOANALUA HIGH SCHOOLS (FEB.
7-8); BLAISDELL ARENA (FEB. 9-10)**

**DIVISION II: RADFORD & KALANI HIGH SCHOOLS (FEB. 7-
9); BLAISDELL ARENA (FEB. 10)**

**HAWAII HIGH SCHOOL ATHLETIC ASSOCIATION
HAWAIIAN AIRLINES GIRLS BASKETBALL STATE CHAMPIONSHIPS
TUESDAY-FRIDAY, FEBRUARY 7-10, 2012**

HAWAII HIGH SCHOOL ATHLETIC ASSOCIATION

Executive Director..... Chris Chun
Office Manager Russell Aoki
Director of Information Natalie Iwamoto
Asst. Director of Information..... Wes Nakama
Girls Basketball Coordinator..... Alex Kane

TOURNAMENT COMMITTEE

Host School Academy of the Pacific & Pac-Five
Tournament Directors Ryan Hogue & Peter Estomago
ILH Executive Director Don Botelho
Awards Ceremony Hawaiian Airlines
Tournament Statistics Wilmar Alvarado, Natalie Iwamoto, Stan Lee, Wes Nakama
Official Scorers & Timekeepers Tara Aiu, Wendi Chong-Viernes, Gail Juan, Steve Malin & Debbie Suyat
Publicity Natalie Iwamoto & Wes Nakama
Officials & Game Assignments Francis Aiu & Cliff Rodrigues
Rules Francis Aiu, Peter Estomago, Ryan Hogue, Alex Kane & Cliff Rodrigues
Pairings Alex Kane, John Chung, Stacie Nii, Peter Estomago & Chris Chun
Medical Personnel OIA & ILH Athletic Trainers
Committee Room Academy of the Pacific & Pac-Five

SPECIAL THANKS

Hawaiian Airlines Alison Ohama & Debbie Nakanelua
McKinley High School Ron Okamura, Principal
..... Neal Takamori, Athletic Director
Moanalua High School Darrel Galera, Principal
..... Joel Kawachi, Athletic Director
Radford High School Elias Ali, Principal
..... Kelly Sur, Athletic Director
Kalani High School Mitchell Otani, Principal
..... Greg Van Cantfort, Athletic Director
Neal Blaisdell Center Sidney Quintal, John Fuhrmann & Mary Lewis

**HAWAIIAN AIRLINES/HHSAA GIRLS BASKETBALL STATE CHAMPIONSHIPS
TUESDAY-FRIDAY, FEBRUARY 7-10, 2012**

TOURNAMENT INFORMATION

I. HHSAA GIRLS BASKETBALL REGULATIONS

HHSAA Basketball Regulations may be found in the HHSAA Handbook section found in this packet.

II. TOURNAMENT REPRESENTATION

	DIVISION I	DIVISION II
OIA	6	3
ILH	2	4
BIIF	2	3
MIL	2	1
KIF	0	1
TOTAL	12	12

III. TEAM ROSTERS AND PICTURES

Schools with teams that have secured or are in contention for a tournament berth are required to submit team rosters, team photo and photo caption via e-mail to iwamoto@hhsaa.org and faith@tradepublishing.com. (All three items must be sent to both e-mail addresses)

The official roster form can be downloaded at www.sportshigh.com. Only official roster forms will be accepted and the roster **MUST** be e-mailed to the above e-mail addresses. Please be sure to save the rosters, photos and captions with your school name (do not abbreviate, i.e. KHS, MHS, WHS, etc.). Also, please put your school name and sport in the subject line of the e-mail.

Team pictures submitted on disk or via e-mail are required to be **300 dpi or greater**. Otherwise, a hard copy of the team picture is required and must be mailed or hand delivered to the below address. Photo captions identifying individuals (left to right and by row) must be e-mailed or delivered to Trade Publishing in a digital format (i.e. saved on a CD, flash drive).

Trade Publishing Co.
Attn: Faith Freitas (Ph: 848-0711)
287 Mokauea Street, Honolulu, HI 96819

DEADLINE: TUESDAY, JAN. 31, 2012, NOON

IV. HEAD COACHES' MEETING

All head coaches or their designees are **required** to attend the pre-tournament meeting on **Tuesday, February 7, 2012, at 10:00 a.m. in McKinley High School's Hirata Hall Auditorium (located adjacent to the main parking lot on the mauka side).**

V. TOURNAMENT SCHEDULE

Division I:

Tuesday, February 7, 2012 (McKinley H.S./Moanalua H.S.)

Game #1	5:00 p.m.	First round game (McKinley H.S.)
Game #2	7:00 p.m.	First round game (McKinley H.S.)
Game #3	5:00 p.m.	First round game (Radford H.S.)
Game #4	7:00 p.m.	First round game (Radford H.S.)

Wednesday, February 8, 2012 (McKinley H.S./Moanalua H.S.)

Game #5	3:00 p.m.	Consolation game (McKinley H.S.)
Game #6	5:00 p.m.	Quarterfinal game (McKinley H.S.)
Game #7	7:00 p.m.	Quarterfinal game (McKinley H.S.)
Game #8	3:00 p.m.	Consolation game (Radford H.S.)
Game #9	5:00 p.m.	Quarterfinal game (Radford H.S.)
Game #10	7:00 p.m.	Quarterfinal game (Radford H.S.)

Thursday, February 9, 2012 (all games at Neal Blaisdell Arena)

Game #11	11:00 a.m.	Consolation game (winners of games 5 & 8)
Game #12	1:00 p.m.	Consolation game (losers of games 6 & 7)
Game #13	3:00 p.m.	Consolation game (losers of games 9 & 10)
Game #14	5:00 p.m.	Semifinal game
Game #15	7:00 p.m.	Semifinal game

Friday, February 10, 2012 (all games at Neal Blaisdell Arena)

Game #16	1:00 p.m.	5 th Place Game (Winners of Games 12 & 13)
Game #17	3:00 p.m.	3 rd Place Game (Losers of Games 14 & 15)
Game #18	7:00 p.m.	Championship Game (Winners of Games 14 & 15)

The official time allotted between games (in the championship bracket) is 15 minutes. No game shall start before the established starting time.

Division II:

Tuesday, February 7, 2012 (Radford H.S. / Kalani H.S.)

Game #1	5:00 p.m.	First round game (Kaimuki H.S.)
Game #2	7:00 p.m.	First round game (Kaimuki H.S.)
Game #3	5:00 p.m.	First round game (Farrington H.S.)
Game #4	7:00 p.m.	First round game (Farrington H.S.)

Wednesday, February 8, 2012 (Radford H.S. / Kalani H.S.)

Game #5	3:00 p.m.	Consolation game (Kaimuki H.S.)
Game #6	5:00 p.m.	Quarterfinal game (Kaimuki H.S.)
Game #7	7:00 p.m.	Quarterfinal game (Kaimuki H.S.)
Game #8	3:00 p.m.	Consolation game (Farrington H.S.)
Game #9	5:00 p.m.	Quarterfinal game (Farrington H.S.)
Game #10	7:00 p.m.	Quarterfinal game (Farrington H.S.)

Thursday, February 9, 2012 (Radford H.S. / Kalani H.S.)

Game #11	3:00 p.m.	Consolation game (Kaimuki H.S.)
Game #12	7:00 p.m.	Consolation game (Kaimuki H.S.)
Game #13	5:00 p.m.	Semifinal game (Farrington H.S.)
Game #14	5:00 p.m.	Consolation game (Kaimuki H.S.)
Game #15	7:00 p.m.	Semifinal game (Farrington H.S.)

Friday, February 10, 2012 (all games at Neal Blaisdell Arena)

Game #16	9:00 a.m.	5 th Place Game (Winners of Games 12 & 14)
Game #17	11:00 a.m.	3 rd Place Game (Losers of Games 13 & 15)
Game #18	5:00 p.m.	Championship Game (Winners of Games 13 & 15)

The official time allotted between games (in the championship bracket) is 15 minutes. No game shall start before the established starting time.

VI. CODE-OF-CONDUCT

The coach shall have direct responsibility for the conduct of team members prior to, during and after tournament competition (in the hotel, in public, at the tournament, transportation to and from sites).

The HHSAA Executive Director may establish a common curfew hour, as necessary.

The drinking of alcoholic beverages, smoking, drug use, loud, unruly or destructive behavior will not be tolerated.

Coaches are requested to inform their athletes of hotel rules and regulations. Please emphasize the importance of appropriate conduct and behavior and consideration for other hotel guests. Schools and students will be charged for any damages incurred by them at the hotel.

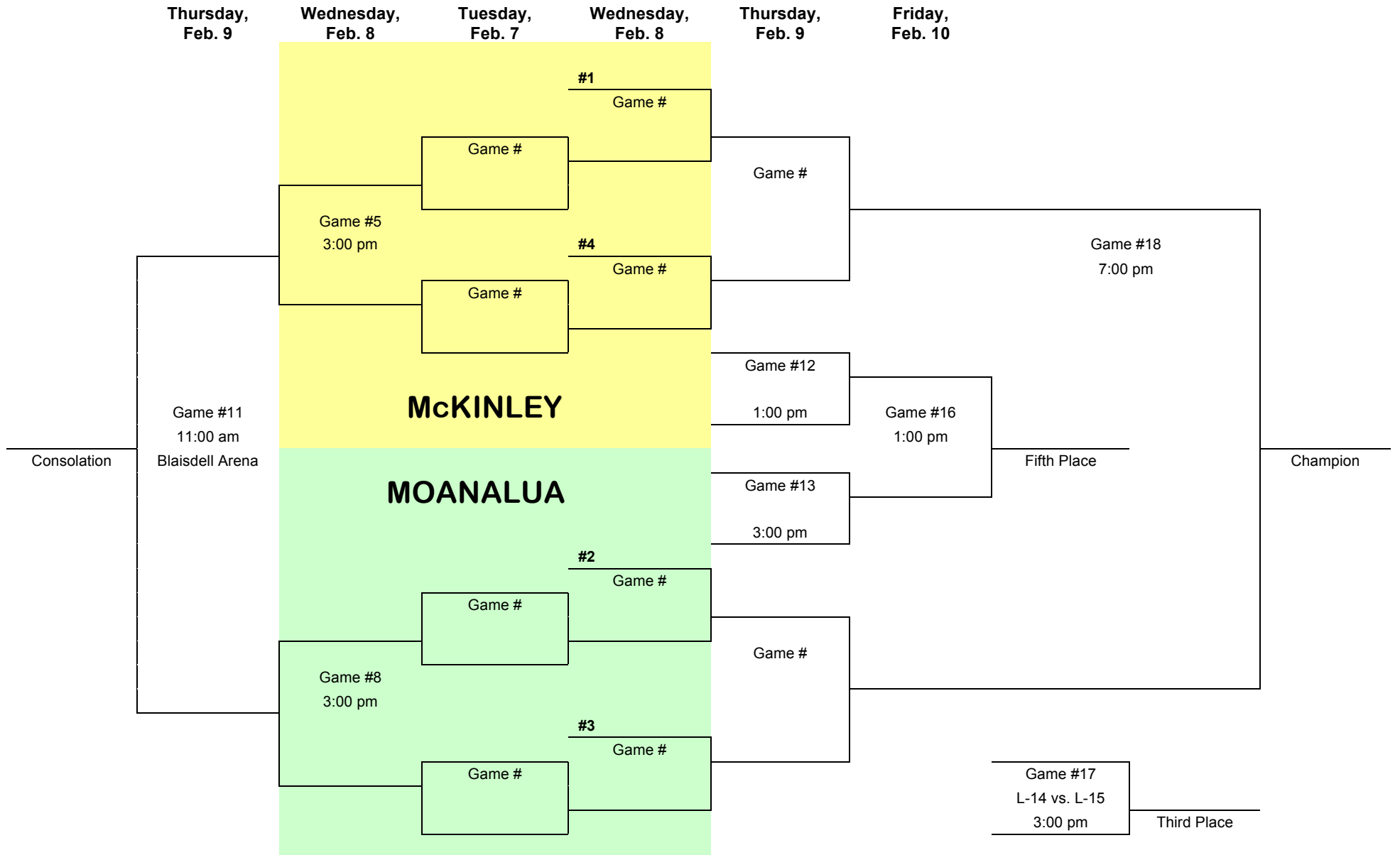
It is recommended that schools inform parents regarding Code-of-Conduct in writing.

VII. STATE TOURNAMENT DISQUALIFICATION RULE

Any student-athlete or coach disqualified before, during, or after a state tournament game/match/event for unsportsmanlike conduct, flagrant verbal misconduct, or flagrant physical misconduct shall be disqualified from his/her next scheduled state tournament game/match/event for that sport. The student-athlete or coach has the right to appeal any such disqualification to an appeals committee for the particular sport. Should a student-athlete or coach be disqualified from the final state tournament game/match/event for that sport, said disqualification shall NOT carry over to the following school year's state tournament for that sport. Instead, the student-athlete's or coach's league shall determine any appropriate penalty or sanction.



HAWAIIAN AIRLINES GIRLS BASKETBALL STATE CHAMPIONSHIPS
TUESDAY-FRIDAY, FEBRUARY 7-10, 2012
DIVISION I BRACKET
 Presented by the Hawaii High School Athletic Association



BASKETBALL TOURNAMENT

I. Specific Objectives

- A. To determine the state champion for basketball through tournament competition.
- B. To recognize the combined efforts of all the participating teams and schools in the tournament.
- C. To promote and encourage the highest principles of citizenship and positive behavior in tournament competition.
- D. To promote the highest principles of good citizenship in tournament competitions.

I. Officials

A. Qualifications and Requirements

- 1. Evidence of having passed the National Federation Basketball Officials' tests.
- 2. Recommended and approved by their respective leagues.
- 3. Game officials shall wear the standard black and white vertically striped uniform shirt and worn inside the trousers.
- 4. All state tournament officials/umpires shall wear uniforms in accordance with their sport's NFHS rules/guidelines/recommendations. In the absence of any NFHS rules/guidelines/recommendations, the sport's HHSAA Sport Coordinator shall have the final say as to the appropriateness of a state tournament official's/umpire's uniform.
- 5. The HHSAA Executive Director, Sport Coordinator and Selection Committee shall review the names recommended by the leagues and make the appropriate selections as needed for the State Tournament format.

B. Selection and Assignment

- 1. The selection of game officials shall be made by the Sport Coordinator and Officials Selection Committee. Alternates shall be appointed for each game. The Sport Coordinator shall serve as the chairperson of the Selection Committee.
- 2. Game officials and coaches are requested to meet with the Sport Coordinator prior to the tournament for a briefing regarding the Tournament format.
- 3. Leagues may request that an official be selected for the tournament. However, if selected, leagues shall be responsible for the official's expenses to the tournament.

C. Officials Compensation

- 1. Officials shall be compensated based on HHSAA rates.

III. Eligibility (See HHSAA Handbook)

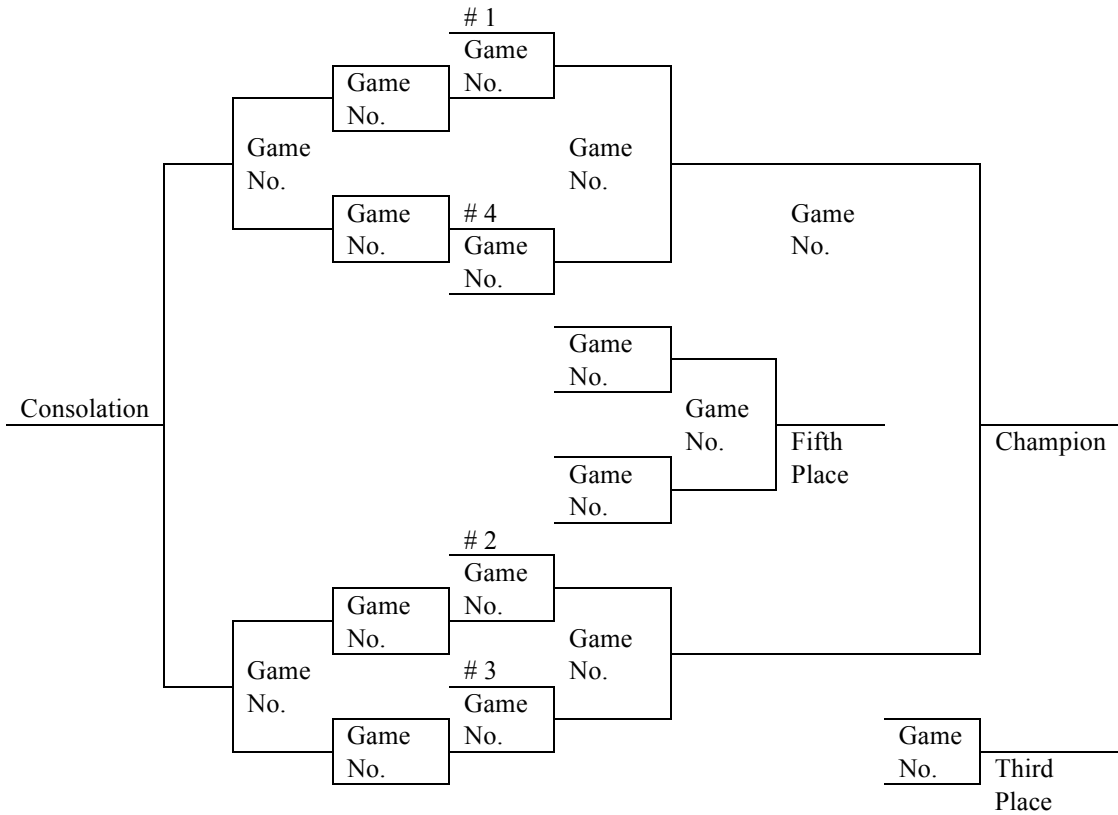
IV. Rules Governing Tournament

- A. National Federation Basketball Rules shall prevail, with HHSAA modification as needed.
- B. "Pain Killing" injections that are used for the purpose of participation shall not be administered to student-athletes at the game or sites during HHSAA tournament events.

V. Tournament Representation

- A.
$$\frac{\text{Number of Participating Teams in League}}{\text{Number of Participating Teams in State}} \times \text{Number of Teams in State Tournament}$$
- B. Pac-Five teams are eligible to participate in the following HHSAA state tournaments: football, softball, boys soccer, girls soccer, canoe paddling, girls water polo, and baseball. Also, the MIL's Pac-Three football team is eligible to participate in the HHSAA state football tournament.
- C. For team-only state tournaments, a combination team shall be counted in the league representation formula as long as one of the schools in the combination team has a minimum number of players, as follows:
 Volleyball – 6, Football – 11, Softball – 9, Soccer – 11, Basketball – 5, Baseball – 9, Canoe Paddling – 6, Water Polo – 7
- D. For team-only state tournaments, if a combination team qualifies for a state tournament, only players from one of the schools with the above-listed minimum number shall be allowed to participate in the state tournament.

VI. Tournament Format



VII. Size of Team in Tournament

Schools may bring an unlimited number and players accompanied by authorized coaches. Names of coaches and players must be listed on the official tournament roster.

VIII. Seeding/Pairing

(As of 6/2011)

- A. Seeding/Pairing committee shall be done by the Tournament Seeding Committee. Seeding Committee members will consist of the HHSAA Executive Director, Sports coordinators and Tournament Director.
- B. Committee shall seed four of the five league champions into two brackets. #1 and #4 seeded teams will be placed in the upper bracket and the #2 and #3 seeded teams will be placed in the lower bracket.
- C. If there is an unseeded champion, the unseeded champion shall be placed in the upper bracket with the #4 seeded team
- D. Place the individual leagues 2nd place teams in the bracket opposite of their league champion. The leagues 2nd place team should be placed according to how their league champion was seeded. Ex. The 2nd place team of the top seed (#1) shall be placed in the lower bracket with the #3 seeded team in the tournament. The 2nd place team of the second seeded team (#2) shall be placed in the upper bracket with the #4 seeded team.
- E. Place the individual leagues 3rd place team in the opposite bracket of their league champion. A leagues 3rd place team should not be paired with their leagues 2nd place team. If a leagues 3rd place team cannot be placed in the opposite bracket of their league champion, they will be placed in the same bracket as their league champion but will be placed with another leagues seeded team.
- F. If a league has more than three teams, place the leagues 4th place team in the first open slot starting from the upper bracket. Their 5th place team will be placed in the next available slot starting with the upper bracket. If the upper bracket is full, the 5th place team will be placed in the first available slot in the lower bracket. Continue with this procedure until all teams are placed.

IX. Tournament Regulations

- A. Player Bench Occupants
 1. During a contest, the player-bench may be occupied by eligible substitutes, coaches, faculty representative, bona fide team managers, team statisticians, scorekeeper and team trainer or physician.
 2. Only one team scorekeeper may sit on the tournament officials' table at any one time.
- B. Identifying Apparel for Scorekeeper and Timer

It is recommended that the official scorekeeper and official timer wear identifying apparel and that their location be clearly determined.
- C. Admission for Players, Cheerleaders and Press Representatives
 1. All players and coaches participating in the tournament may be admitted to the tournament games. Rather than furnishing tickets, a checklist will be used for admittance. All players and their coaches shall enter the Stan Sheriff Center through the Pass Gate. Players must be accompanied by their coaches for admittance.
 2. Cheerleaders in uniform and whose names have been submitted on the Cheerleaders Roster may be admitted to the games in which their teams are participating. All cheerleaders and their coaches shall enter the Stan Sheriff Center through the Pass Gate. Cheerleaders must be accompanied by their coaches for admittance.

3. An area for press representatives may be provided, but it must be away from the officials' table.

D. Use of Floor between Half-time of Tournament Games

The tournament site manager(s) shall be responsible to see that basket shooting shall not be permitted between halves of tournament games, except for the few minutes required by each team to warm-up prior to the start of the second half.

- E. The cutting of the net is permitted if it is made as part of the closing ceremony.

X. Tournament Ball

The tournament ball shall be the Spalding Top-Flite 1000 Wide Channel Basketball.

XI. Uniforms

- A. Whenever the name of a school appears above the name of its opponent in the bracket pairing, that team shall wear light uniforms. Whenever the name of a team appears below its opponent's in the bracket, that team shall wear dark uniforms.
- B. Beginning with the 2001-02 school year, each team participating in the football, soccer, and basketball state tournaments, shall bring to the state tournament both light and dark sets of uniforms. If a team violates this rule, they shall be subject to a penalty to be determined by the particular sport's HHSAA Sports Coordinator.

XII. Awards and Trophies

- A. Permanent trophies to Championship and Runner-up teams.
- B. 16 gold medals for Championship team.
- C. 16 silver medals for Runner-up team.
- D. Game ball to Championship team. If two balls are available, the runner-up team shall receive the second ball.
- E. Additional medals may be requested at school's own expense.

XIII. Evaluation

An evaluation report and tournament results shall be submitted by the Sport Coordinator to the HHSAA Executive Director within two weeks after the tournament.

XIV. Admission

High School Sites

Adults	\$7.00
Senior Citizens (62 and over)	\$5.00
Students (Grades K-12)	\$5.00

Neal Blaisdell Arena

Adults	\$9.50
Senior Citizens (62 and over)	\$5.50
Students (Grades K-12)	\$5.50

**HAWAIIAN AIRLINES BASKETBALL STATE CHAMPIONSHIPS
SOUVENIR T-SHIRT ORDER FORM**



_____ School requests the following sizes of the 2012 Basketball State Championships souvenir t-shirts at \$20.00 per shirt and souvenir tournament programs at \$7.00 per program.

Size	Quantity WHITE	Quantity GRAY	Price	Total
Small			\$20.00	
Medium			\$20.00	
Large			\$20.00	
X-Large			\$20.00	
XX-Large			\$20.00	
Tournament Program			\$7.00	
			GRAND TOTAL	

Please make check payable to: Hawaii High School Athletic Association

Send pre-orders to Pac-Five (co-host school) by Monday, Feb. 6, 2012. Checks payable to HHSAA may be sent with pre-orders or brought to the coaches' meeting/tournament.

Host School:

Peter Estomago, Athletic Director
Pac-Five Athletics
Phone: (808) 533-4541 · Fax: (808) 533-4543

Note: Preorders must be paid in full by first day of the tournament or shirts will be released to the general public.

Contact person: _____
Phone: _____
School: _____
Check one: <input type="checkbox"/> Check placed in mail <input type="checkbox"/> Will drop off at coaches meeting

HHSAA GIRLS BASKETBALL CHAMPIONSHIP RECORDS

YEAR	CHAMPION	LEAGUE	HEAD COACH	RUNNER-UP	THIRD PLACE	FOURTH PLACE
1977	Maryknoll	ILH	Russell Dung	Punahou	Kamehameha	Waianae
1978	Maryknoll	ILH	Russell Dung	Kalaheo	Waipahu	Kohala
1979	Punahou	ILH	Robin Durand	University	Kalaheo	Moanalua
1980	Punahou	ILH	Robin Durand	University	Kahuku	Leilehua
1981	Punahou	ILH	Robin Durand	University	Roosevelt	Waipahu
1982	University	ILH	Larry Kanda	Punahou	Roosevelt	Waianae
1983	Kahuku	OIA	Harry Kahuanui	University	Radford	Kamehameha
1984	University	ILH	Nelson Yoshioka	Kamehameha	Roosevelt	Waianae
1985	Waiakea	BIIF	Gilbert Tomas	Kahuku	Roosevelt	Farrington
1986	Waiakea	BIIF	Gilbert Tomas	Farrington	Kahuku	Iolani
1987	Iolani	ILH	Calvin Hashimoto	Maryknoll	Aiea	Farrington
1988	Kamehameha	ILH	Al Apo	Waiakea	Iolani	Maryknoll
1989	Iolani	ILH	Bernie Ching	Kamehameha	Kaiser	Kahuku
1990	Kamehameha	ILH	Al Apo	Iolani	Hilo	Farrington
1991	Kamehameha	ILH	Al Apo	University	Radford	Moanalua
1992	Kamehameha	ILH	Al Apo	Moanalua	Honokaa	Radford
1993	Kamehameha	ILH	Al Apo	Iolani	Moanalua	Waiakea
1994	Punahou	ILH	Shelley Kahuanui Fey	Iolani	Moanalua	Kahuku
1995	Iolani	ILH	Bernie Ching	Kamehameha	Punahou	McKinley
1996	Iolani	ILH	Bernie Ching	Kamehameha	McKinley	Radford
1997	Punahou	ILH	Shelley Kahuanui Fey	Honokaa	McKinley	Kalaheo
1998	Punahou	ILH	Shelley Kahuanui Fey	Kalaheo	Waiakea	Baldwin
1999	Kamehameha	ILH	Clay Cockett	Punahou	Kalaheo	Waiakea
2000	Kamehameha	ILH	Clay Cockett	Kalaheo	Punahou	Mid-Pacific
2001	Aiea	OIA	Fran Villarmia-Kahawai	Kalaheo	(none)	(none)
2002	Kamehameha	ILH	Clay Cockett	Punahou	Iolani	Kahuku
2003	Punahou	ILH	Mike Taylor	Kahuku	Moanalua	Farrington

DIVISION I CHAMPIONSHIP

YEAR	CHAMPION	LEAGUE	HEAD COACH	RUNNER-UP	THIRD PLACE	FOURTH PLACE
2004	Konawaena	BIIF	Bobbie Awa	Kahuku	Punahou	Baldwin
2005	Punahou	ILH	Mike Taylor	Konawaena	Honoka`a	Kahuku
2006	Punahou	ILH	Mike Taylor	Roosevelt	Honoka`a	Konawaena
2007	Konawaena	BIIF	Bobbie Awa	Punahou	Honokaa	Iolani
2008	Punahou	ILH	Mike Taylor	Iolani	Radford	Waiakea
2009	Konawaena	BIIF	Bobbie Awa	Punahou	Lahainaluna	Farrington
2010	Lahainaluna	MIL	Todd Rickard	Konawaena	Punahou	Iolani
2011	Konawaena	BIIF	Bobbie Awa	Punahou	Iolani	Lahainaluna

DIVISION II CHAMPIONSHIP

YEAR	CHAMPION	LEAGUE	HEAD COACH	RUNNER-UP	THIRD PLACE	FOURTH PLACE
2004	Roosevelt	OIA	Bobby Keanini	St. Andrew's	St. Joseph	St. Anthony
2005	KS-Hawaii	BIIF	Kimo Miller	St. Francis	Seabury	Kalani
2006	Kalani	OIA	Darold Imanaka	KS-Hawaii	St. Francis	LaPietra
2007	KS-Hawaii	BIIF	Kalani Silva	Sacred Hearts	McKinley	Campbell
2008	Campbell	OIA	Nathan Macadangdang	McKinley	Kailua	Molokai
2009	Molokai	MIL	Doug Furlong	KS-Hawaii	Kaimuki	Kapaa
2010	Kaimuki	OIA	Mona Fa'asoa	Molokai	Kahuku	Kapaa
2011	Radford	OIA	Tani Almont-Done	KS-Hawaii	Maryknoll	Kapaa