



NEW CITY NISSAN / HAWAII HIGH SCHOOL ATHLETIC
ASSOCIATION

41ST ANNUAL GIRLS VOLLEYBALL STATE CHAMPIONSHIPS

OCTOBER 28-31, 2009 (WED.-SAT.)

McKINLEY, RADFORD, FARRINGTON & KALANI HIGH
SCHOOLS

& STAN SHERIFF CENTER

**NEW CITY NISSAN / HHSAA
41ST ANNUAL GIRLS VOLLEYBALL STATE CHAMPIONSHIPS
OCTOBER 28-31, 2009**

HAWAII HIGH SCHOOL ATHLETIC ASSOCIATION

Executive Director Keith Amemiya
 Director of Information Natalie Iwamoto
 Girls Volleyball Coordinator Beth McLachlin
 Officials Coordinator Wayne Lee

TOURNAMENT COMMITTEE

Host School Hawaii Baptist Academy
 Tournament/Site Directors Deren Oshiro & Keith Sugiura, Hawaii Baptist Academy
 Site Directors Neal Takamori & Bob Morikuni, McKinley High School
 Kelly Sur, Radford High School
 Harold Tanaka, Farrington High School
 Greg Van Cantfort, Kalani High School
 ILH Executive Director Don Botelho
 Pairings and Rules Committee Beth McLachlin, Neal Takamori, Wayne Lee & Keith Amemiya
 Athletic Trainers ILH
 Awards Ceremony New City Nissan
 Publicity Natalie Iwamoto
 Statistics Pakalani Bello, Ronnie Castro, Coreen Muraoka, Lili Ann Sora, Tiff Wells

SPECIAL THANKS

New City Nissan Frank Kudo
 John Uekawa
 Ryan Takata
 McKinley High School Ron Okamura, Principal
 Neal Takamori, Athletic Director
 Radford High School Elias Ali, Principal
 Kelly Sur, Athletic Director
 Farrington High School Catherine Payne, Principal
 Harold Tanaka, Athletic Director
 Kalani High School Gerald Teramae, Principal
 Greg Van Cantfort, Athletic Director
 Hawaii Baptist Academy Marsha Hirae, Principal
 Deren Oshiro, Athletic Director
 University of Hawaii Athletics Teri Wilhelm-Chang, Asst. Athletics Director of Facilities
 Rich Sheriff, Arena Manager
 Russ Gima, Asst. Arena Manager
 Kekoa Seward, Asst. Arena Manager
 Walter Watanabe, Ticket Office Manager
 Kelsy Yoshimura, Asst. Ticket Office Manager

**NEW CITY NISSAN / HHSAA
41ST ANNUAL GIRLS VOLLEYBALL STATE CHAMPIONSHIPS
OCTOBER 28-31, 2009**

TOURNAMENT INFORMATION

I. TOURNAMENT REPRESENTATION

	GIRLS	
	DIVISION I	DIVISION II
OIA	6	3
ILH	2	3
BIIF	2	3
MIL	2	2
KIF	0	1
TOTAL	12	12

II. TOURNAMENT SCHEDULE

GIRLS DIVISION I

DAY 1: WEDNESDAY, OCTOBER 28			
MATCH	TIME	SITE	MATCH NOTE
Match 1	5:00 PM	Radford H.S.	First Round Matches
Match 2	7:00 PM		
Match 3	5:00 PM	McKinley H.S.	
Match 4	7:00 PM		
DAY 2: THURSDAY, OCTOBER 29			
Match 5	3:30 PM	Radford H.S.	Consolation Matches
Match 6	3:30 PM	McKinley H.S.	
Match 7	5:00 PM	Radford H.S.	Quarterfinal Matches
Match 8	7:00 PM		
Match 9	5:00 PM	McKinley H.S.	
Match 10	7:00 PM		
DAY 3: FRIDAY, OCTOBER 30			
Match 11	5:00 PM	Radford H.S.	Consolation Matches
Match 12	5:00 PM	McKinley H.S.	
Match 13	7:00 PM	Radford H.S.	Semifinal Matches
Match 14	7:00 PM	McKinley H.S.	
DAY 4: SATURDAY, OCTOBER 31			
Match 15	11:00 AM	Stan Sheriff Center, University of Hawaii, Manoa	Consolation: Winners of #5 & #6
Match 16	12:30 PM		5 th Place: Winners of #11 & #12
Match 17	3:30 PM		3 rd Place: Losers of #13 & #14
Match 18	7:00 PM		Championship: Winners of #13 & #14

GIRLS DIVISION II

DAY 1: WEDNESDAY, OCTOBER 28			
MATCH	TIME	SITE	MATCH NOTE
Match 1	5:00 PM	Farrington H.S.	First Round Matches
Match 2	7:00 PM		
Match 3	5:00 PM	Kalani H.S.	
Match 4	7:00 PM		
DAY 2: THURSDAY, OCTOBER 29			
Match 5	3:30 PM	Farrington H.S.	Consolation Matches
Match 6	3:30 PM	Kalani H.S.	
Match 7	5:00 PM	Farrington H.S.	Quarterfinal Matches
Match 8	7:00 PM		
Match 9	5:00 PM	Kalani H.S.	
Match 10	7:00 PM		
DAY 3: FRIDAY, OCTOBER 30			
Match 11	5:00 PM	Farrington H.S.	Consolation Matches
Match 12	5:00 PM	Kalani H.S.	
Match 13	7:00 PM	Farrington H.S.	Semifinal Matches
Match 14	7:00 PM	Kalani H.S.	
DAY 4: SATURDAY, OCTOBER 31			
Match 15	8:00 AM	Stan Sheriff Center, University of Hawaii, Manoa	Consolation: Winners of #5 & #6
Match 16	9:30 AM		5 th Place: Winners of #11 & #12
Match 17	2:00 PM		3 rd Place: Losers of #13 & #14
Match 18	5:00 PM		Championship: Winners of #13 & #14

III. Rosters, Team Photo and Caption (Due Tuesday, Oct. 20, 2009, noon)

Schools with teams that have secured or are in contention for a tournament berth are required to submit team rosters, team photo and photo caption via e-mail to iwamoto@hhsaa.org and piilani@tradepublishing.com. (All three items must be sent to both e-mail addresses)

The official roster form can be downloaded at www.sportshigh.com. **Only official roster forms in electronic format will be accepted. Please send as a Microsoft Excel document and do not convert to a PDF file.**

Team pictures submitted on disk or via e-mail are required to be **300 dpi or greater**. Otherwise, a hard copy of the team picture is required and must be mailed or hand delivered to the below address. Please also provide a photo caption identifying individuals (left to right and by row).

Piilani Aikau (Ph: 848-0711)
Trade Publishing Co.
287 Mokauea Street
Honolulu, HI 96819

DEADLINE: TUESDAY, OCTOBER 20, NOON

III. Coaches' Meeting

Head coaches of all participating teams or their designees are **required to attend** the coaches' meeting on Wednesday, October 28, 2009, 10:00 a.m., at McKinley High School's cafeteria (located across the gymnasium; enter via Pensacola Street).

IV. Code-of-Conduct

- A. The coach shall have direct responsibility for the conduct of team members prior to, during, and after tournament competition (in the hotel, in public, at the tournament, transportation to and from sites).
- B. The HHSAA Executive Director may establish a common curfew hour as needed.
- C. The drinking of alcoholic beverages, smoking, drug use, loud, unruly or destructive behavior will not be tolerated.
- D. Coaches are requested to inform their athletes of hotel rules and regulations. Please emphasize the importance of appropriate conduct and behavior and consideration for other guests at the hotel. Schools and students will be charged for damages incurred by them at the hotel.
- E. It is recommended that schools inform parents regarding Code-of-Conduct in writing.



DIVISION I Girls Volleyball State Championships
October 28-31, 2009 – McKinley High / Radford High / Stan Sheriff Center
 Presented by the Hawaii High School Athletic Association

Saturday
Oct. 31

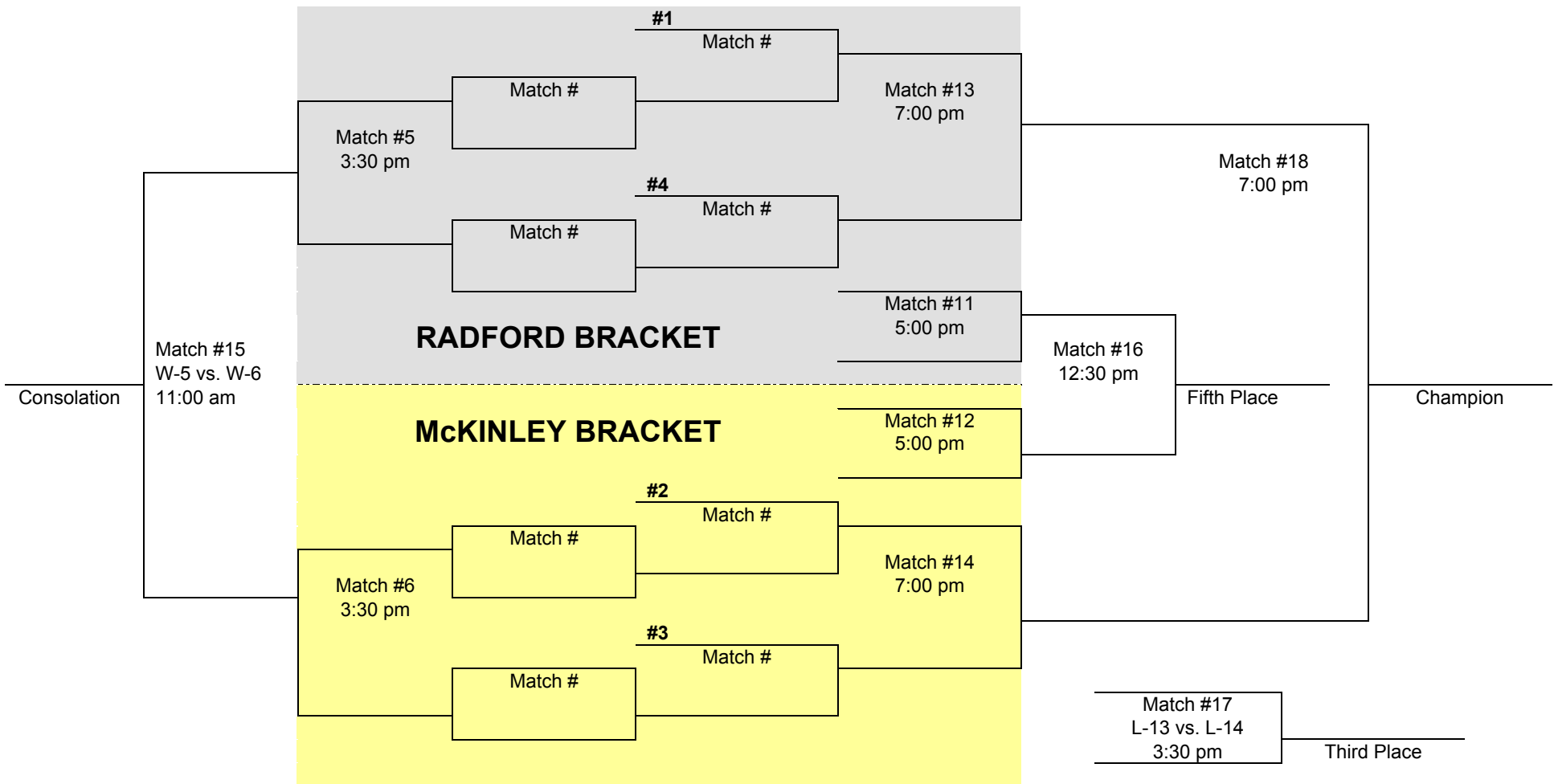
Thursday
Oct. 29

Wednesday
Oct. 28

Thursday
Oct. 29

Friday
Oct. 30

Saturday
Oct. 31





DIVISION II Girls Volleyball State Championships
October 28-31, 2009 – Farrington High / Kalani High / Stan Sheriff Center
 Presented by the Hawaii High School Athletic Association

Saturday
Oct. 31

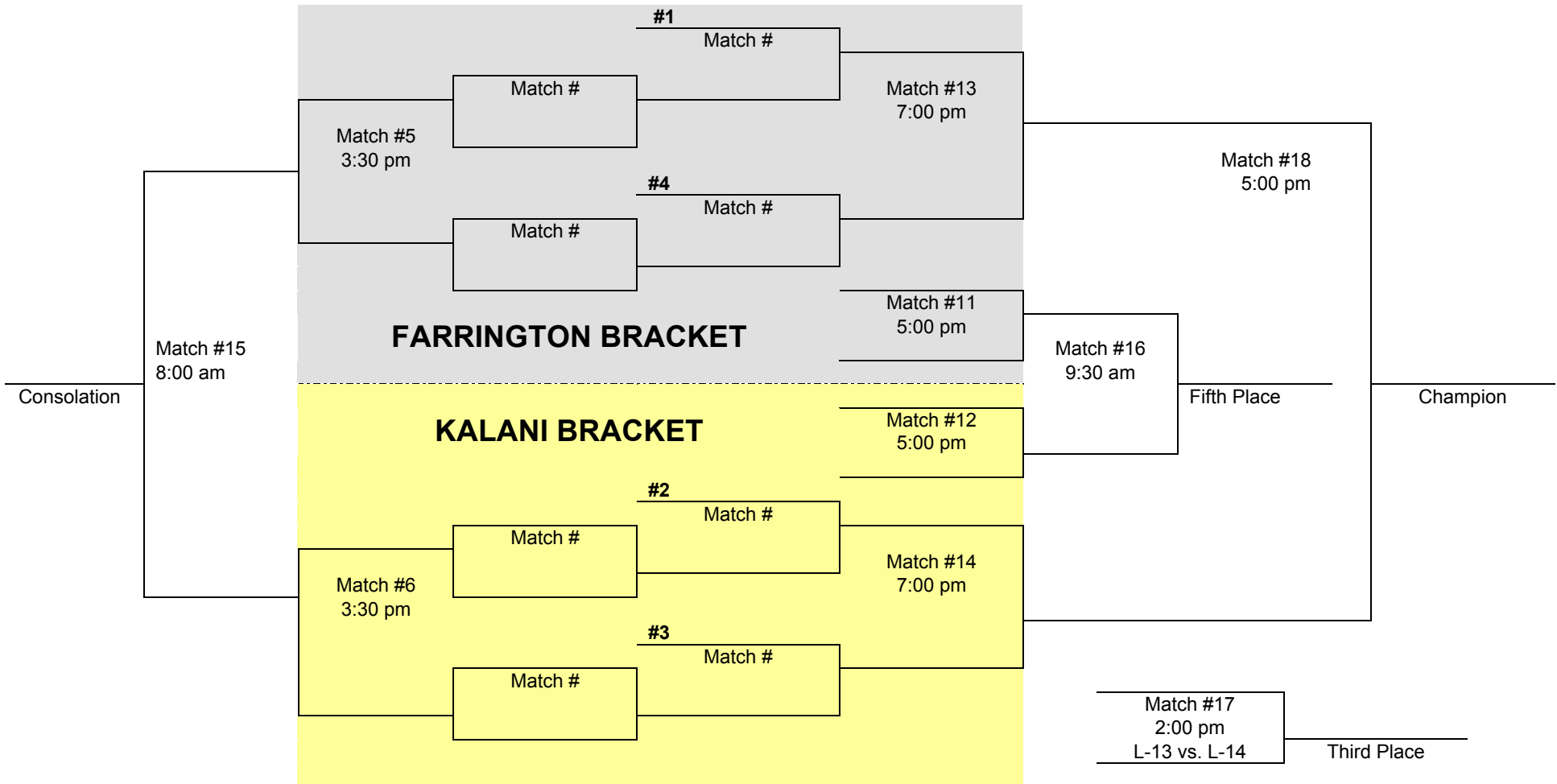
Thursday
Oct. 29

Wednesday
Oct. 28

Thursday
Oct. 29

Friday
Oct. 30

Saturday
Oct. 31



VOLLEYBALL TOURNAMENT

I. Specific Objectives

- A. To select state volleyball champions for boys and girls through tournament competition.
- B. To recognize the combined efforts of all the participating teams in the tournament.
- C. To encourage the highest principles and standards of general behavior.
- D. To emphasize respect for opponents relative to organized cheering activities.
- E. To promote the highest principles of citizenship in tournament games.

II. Officials

A. Qualifications

- 1. Attend pre-tournament officials' clinic.
- 2. Evidence of having passed the National Federation Volleyball Rules Examination.
- 3. Officials are required to have officiated in league matches during the current season in order to qualify for the state tournament.

B. Selection and Assignment

- 1. The Sport Coordinator and the league Executive Directors shall select the tournament officials with the approval of the HHSAA Executive Director.
- 2. The Sport Coordinator and the Volleyball Officials Coordinator shall prepare the scheduling of officials for all tournament matches. For the championship matches, four linesmen, one umpire, one referee, one scorer and one assistant scorekeeper shall be assigned. Matches preceding the championship matches shall have two linesmen.

C. Financial Allowance

All officials shall be compensated in accordance with HHSAA rates.

D. Uniform

All state tournament officials/umpires shall wear uniforms in accordance with their sport's NFHS rules/guidelines/recommendations. In the absence of any NFHS rules/guidelines/recommendations, the sport's HHSAA Sport Coordinator shall have the final say as to the appropriateness of a state tournament official's/umpire's uniform.

III. Eligibility

- A. Each participant must be eligible under the rules of his/her league and also under the requirements as specified by HHSAA.

IV. Rules Governing Tournament

- A. National Federation volleyball rules shall govern the tournament, with HHSAA modifications as needed.
 - 1. All championship bracket matches shall be best three out of five games. All consolation matches shall be best two out of three games.
 - 2. Rally scoring to 25 points for all games, must win by two points in each game. (Exception: Any game five of championship bracket matches shall be rally scoring to 15 points, must win by two points.) No point cap in any game.
 - 3. Let serve to be allowed.
 - 4. Incorporate the libero position, pursuant to NFHS and HHSAA approved guidelines.
- B. Interpretations and Appeals
 - 1. Decisions concerning facts—Decisions by officials concerning facts are final and not subject to protest.
 - 2. Rule interpretation disagreement—If a playing captain or head coach disagrees with the interpretation of a rule, he/she may call this to the attention of the referee, but must do so immediately.
 - 3. Inform referee and committee of appeals—When a coach plans to appeal the interpretation of a rule, he/she shall immediately inform the referee and through some representative present the protest and facts to the proper committee. The referees will make an immediate decision or let the Officials' Coordinator make the decision and it will be final.

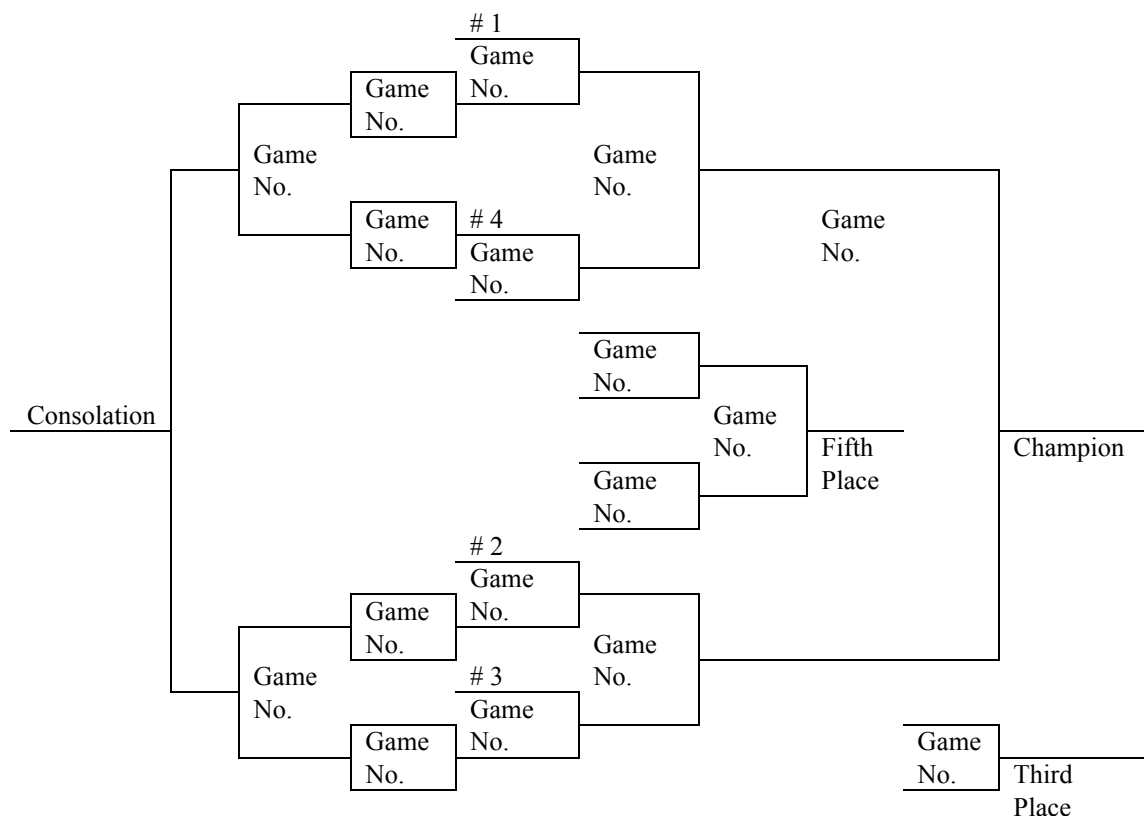
V. Tournament Representation

- A.

Number of Participating Teams in League	X	Number of Teams in State Tournament
Number of Participating Teams in State		
- B. Pac-Five teams are eligible to participate in the following HHSAA state tournaments: football, boys soccer, girls soccer, canoe paddling, girls water polo, and baseball. Also, the MIL's Pac-Three football team is eligible to participate in the HHSAA state football tournament.
- C. For team-only state tournaments, a combination team shall be counted in the league representation formula as long as one of the schools in the combination team has a minimum number of players, as follows:

Volleyball – 6, Football – 11, Softball – 9, Soccer – 11, Basketball – 5, Baseball – 9, Canoe Paddling – 6, Water Polo – 7
- D. For team-only state tournaments, if a combination team qualifies for a state tournament, only players from one of the schools with the above listed minimum number shall be allowed to participate in the state tournament.

VI. Tournament Format



VII. Size of Team in Tournament

Schools may bring an unlimited number of players accompanied by authorized coaches. Names of coaches and players must be listed on the official tournament roster form.

VIII. Pairing

- A. Seeding/Pairings shall be done by the Tournament Seeding/Pairing Committee and provided to the Radio, TV and News media.

Seeding/Pairing Committee

1. HHSAA Executive Director, Chairperson
 2. Sport Coordinators
 3. Tournament Director
 4. Others as selected by the Sport Coordinator
- B. Byes shall be granted to four champions from the five leagues according to their demonstrated strength (and seeded one to four accordingly).
 - C. The #2 and #3 teams of a league (where applicable) shall be placed in the opposite bracket from the league's seeded champion.
 - D. The #4 and #5 teams of a league (where applicable) shall be placed in the same bracket as the seeded league champion.
 - E. Pairings shall be made so that teams from the same league do not meet in the first round. The only exception shall be when a league with five or more representatives has the unseeded champion.

- F. The unseeded league champion (where applicable) shall be paired whenever possible with a #3, #4, #5, or a #6 place team from another league.
- G. Whenever possible, the top-seeded and second-seeded league champions shall play the winner of the first round game involving the lowest-finishing league qualifier (e.g., OIA #5) in their half of the tournament bracket.
- H. The tournament seeding/pairings committee shall have the authority to modify any of the above guidelines if necessary.

IX. Tournament Ball

The official tournament ball shall be the Spalding Top-Flite TL 5000 Gold volleyball.

X. Uniforms

- A. Identical school designated uniform.
- B. Shoes must be worn as part of the uniform.
- C. National Federation uniform rules to prevail.

XI. Awards and Trophies

- A. Permanent trophies for boys and girls championship teams.
- B. Second place trophies for runner-up boys and girls teams.
- C. 15 medals for the championship team members.
- D. 15 medals for runner-up team members.
- E. Schools may order extra medals for team members at their own expense.

XII. Evaluation

An evaluation report and results of the tournament are to be submitted to the HHSAA Executive Director within two weeks after the tournament.

XIII. Admission

High School Sites:

Adults	\$7.00
Senior Citizens (ages 62 and over)	\$5.00
Students (Grades K-12)	\$5.00

Stan Sheriff Center:

Adults	\$9.00
Senior Citizens (ages 62 and over)	\$5.00
Students (Grades K-12)	\$5.00

**NEW CITY NISSAN / HHSAA VOLLEYBALL STATE CHAMPIONSHIPS
SOUVENIR T-SHIRT & TOURNAMENT PROGRAM ORDER FORM**



_____ School requests to order the following sizes of the 2009 New City Nissan Volleyball State Championships Souvenir T-shirt(s) at \$15.00 per shirt.

SIZE	QUANTITY	PRICE/ITEM	TOTAL
Small		\$15.00	
Medium		\$15.00	
Large		\$15.00	
X-Large		\$15.00	
XX-Large		\$15.00	
Tournament Program		\$7.00	
		GRAND TOTAL	

Please make check payable to: Hawaii High School Athletic Association

Send pre-orders to Hawaii Baptist Academy (host school) by Tuesday, October 27, 2009. Checks payable to HHSAA may be sent with pre-orders or brought to the coaches' meeting/tournament.

Deren Oshiro, Athletic Director
Hawaii Baptist Academy
2429 Pali Highway
Honolulu, HI 96817
Phone: (808) 564-0327 · Fax: (808) 595-0296

Contact person: _____ Daytime phone: _____ Check one: <input type="checkbox"/> Check placed in mail <input type="checkbox"/> Will drop off at coaches meeting

Note: Preorders must be paid in full by first day of the tournament or shirts will be released to the general public.

HHSAA VOLLEYBALL TOURNAMENT CHAMPIONS - GIRLS

<u>Year</u>	<u>School</u>	<u>League</u>	<u>Coach</u>
1969	Kamehameha	ILH	Kuuipo Lum
1970	Kamehameha	ILH	Kuuipo Lum
1971	Radford	OIA	Donna Mae Chun
1972	Hilo	BIIF	Luella Aina
1973	Punahou	ILH	Mary Perry
1974	Hilo	BIIF	Luella Aina
1975	Waipahu	OIA	Rudy Sambrano
1976	Waipahu	OIA	Rudy Sambrano
1977	Kamehameha	ILH	Kuuipo Lum
1978	Roosevelt	OIA	Robin Goo
1979	Roosevelt	OIA	Robin Goo
1980	University	ILH	Raplee Fitzsimmons
1981	Kailua	OIA	Daniel Kealoha
1982	Kamehameha	ILH	Kuuipo Lum
1983	Kamehameha	ILH	Kuuipo Lum
1984	University	ILH	Raplee Fitzsimmons
1985	University	ILH	Raplee Fitzsimmons
1986	University	ILH	Raplee Fitzsimmons
1987	University	ILH	Raplee Fitzsimmons
1988	University	ILH	Glennie Adams
1989	University	ILH	Glennie Adams
1990	University	ILH	Glennie Adams
1991	Kamehameha	ILH	Dan Kitashima
1992	Kamehameha	ILH	Dan Kitashima
1993	Punahou	ILH	Peter Balding
1994	Kamehameha	ILH	Dan Kitashima
1995	Kamehamha	ILH	Dan Kitashima
1996	Punahou	ILH	Diana McKibbin
1997	Kamehameha	ILH	Dan Kitashima
1998	Kamehameha	ILH	Dan Kitashima
1999	Kamehameha	ILH	Dan Kitashima
2000	Punahou	ILH	Diana McKibbin
2001	Iolani	ILH	Ann Kang
2002	Kahuku	OIA	Mona Ah Hoy
2003	Punahou	ILH	Scott Rigg
2004	Punahou	ILH	Scott Rigg

DIVISION I

<u>Year</u>	<u>School</u>	<u>League</u>	<u>Coach</u>
2005	KS-Kapalama	ILH	Chris Blake
2006	KS-Kapalama	ILH	Chris Blake
2007	KS-Kapalama	ILH	Chris Blake
2008	KS-Kapalama	ILH	Chris Blake

DIVISION II

<u>Year</u>	<u>School</u>	<u>League</u>	<u>Coach</u>
2005	Saint Francis	ILH	Eric Perry
2006	Sacred Hearts	ILH	Jonathon Tom
2007	Hawaii Baptist	ILH	Myles Shioji
2008	Hawaii Baptist	ILH	Myles Shioji